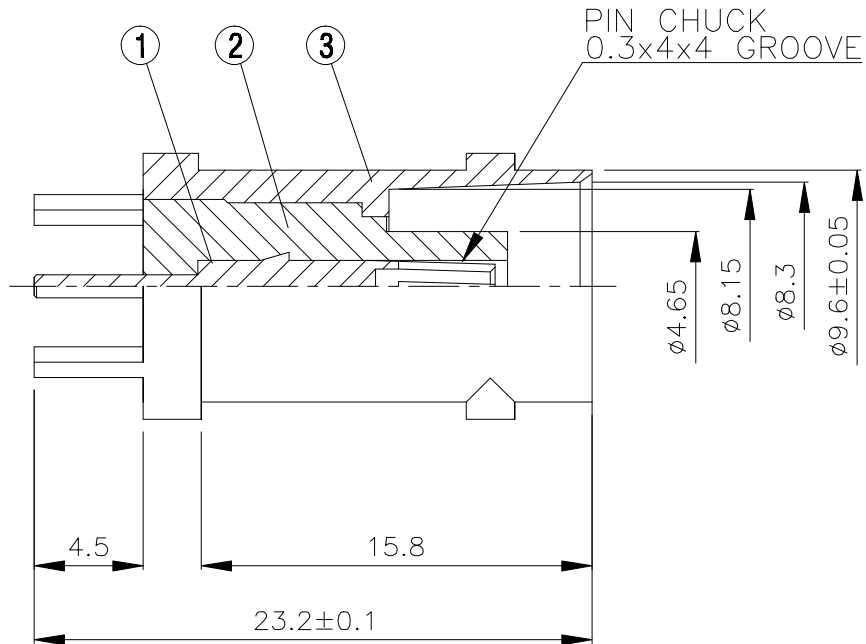
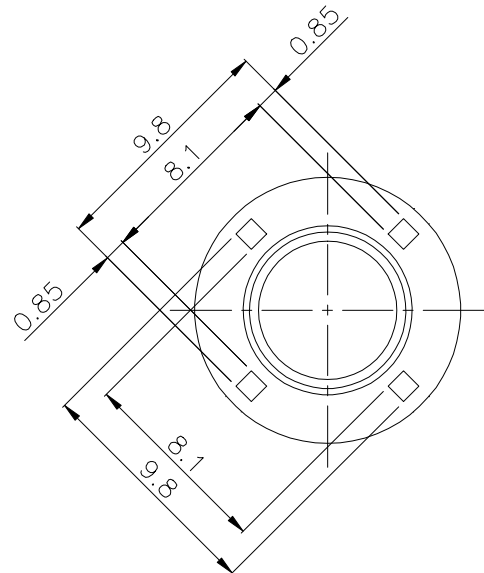
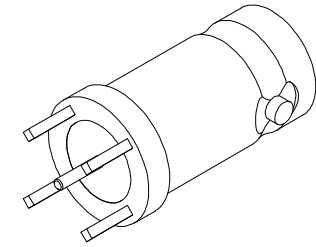


NO	DESCRIPTION	MATERIAL	Q'TY	FINISH	REMARK
1	PIN	BRASS	1	GOLD	P-BNC0444-G
2	INSULATION	TEFLON	1	TEFLON	I-0037T
3	BODY	BRASS	1	NICKEL	B-BNC0210-N



Nominal voltage: 500V

	HUS-TSAN GROUP CO., LTD.		DRAWN	MARY	DATE	102.11.05	DIMENSIONS ARE IN MILLIMETERS		REVISION	
	P.O.BOX 40-76.TAINAN.TAIWAN,R.O.C.		CHECKED	蘇志欣	DATE		UNLESS OTHERWISE SPECIFIED TOLERANCE		DESCRIPTION	ENGINEER
	TITLE BNC FEMALE PCB MOUNT		Q.A.	蘇姿潔	DATE		0.5-5=±0.2	120-315=±1		
	Series BNC-11		APPROVAL	徐燦霖	DATE		5-30=±0.4	315-1000=±1.6		
	PART NO. BNC-11V4-TGN		REVISION		DATE		30-120=±0.6	1000-2000=±2.4		
DRAWING NO. BNC 11V4 TGN						SCALE	4:1	SIZE	A	

4

3

2

1

D

D

C

C

B

B

A

A