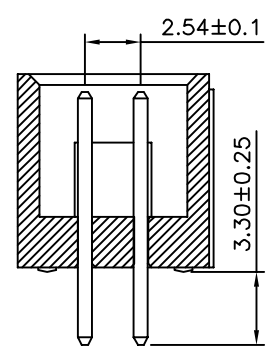
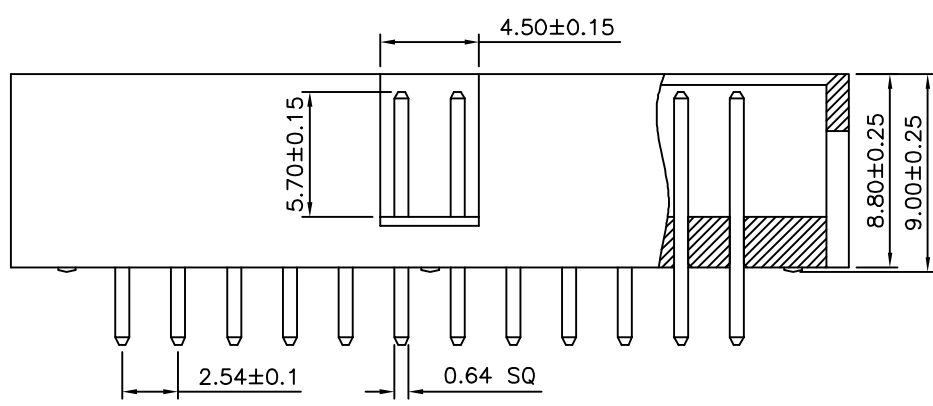
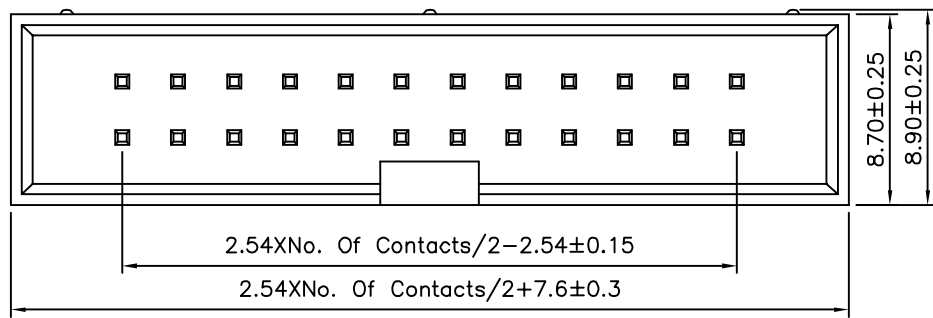


Recommended P.C.B. Layout
PCB Tolerance: ±0.05 (Top View)

SPECIFICATION
 Current Rating: 3 Amp
 Withstand Voltage: 1000V AC
 Contact Resistance: 20 Milliohms Max.
 Insulation Resistance: 1000 Megaohms Min.
 Operation Temperature Range: -40°C ~ +105°C
 Max. Processing Temp.: 180°C For 30~60s
 (220°C For 10s)
 Insulator: PBT(UL94V-0), Black
 Contact: Brass, Gold Plated Over Nickel
 RoHS Compliant



AUK A MEMBER OF AUK GROUP
太聯事業股份有限公司
AUK CONTRACTORS CO., LTD.

CATEGORY		APPROVED BY	
		EMILY	
PART No. BDXX-H		CHECKED BY	
		HZF	
DRAWING No. BDXX-H		DRAWING BY	
		SONG	
SCALE	NONE	REV.	A0

UNLESS OTHERWISE SPECIFIED TOLERANCES ARE
 X. ±0.3 X.* ±5*
 .X ±0.2 .X.* ±1*
 .XX ±0.1 .XX.* ±0.5*
 UNIT mm

NO.	REV.	REVISIONS	CHK	DATE
△ A0		NEW RELEASE	HZF	12/14/2010