



ISO9001 & ISO14001 & TS16949 **CHILISIN ELECTRONICS CORP.**

RoHS & Halogen Free & REACH Compliance.

SPECIFICATION FOR APPROVAL

Customer : ELTECH

Customer P/N: _____

Drawing No : _____

Quantity : 0 **Pcs.** **Date :** 2015/05/27

Chilisin P/N : BC0610R6H-B-3.0-N

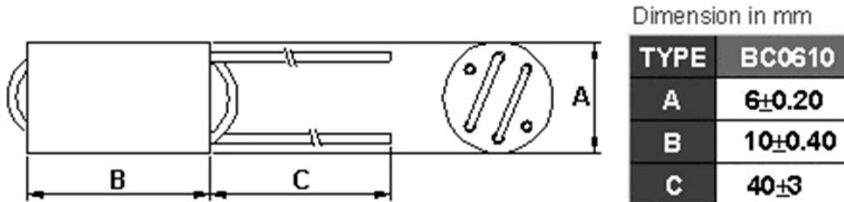
SPECIFICATION ACCEPTED BY:	
COMPONENT ENGINEER	
ELECTRICAL ENGINEER	
MECHANICAL ENGINEER	
APPROVED	
REJECTED	

<p>奇力新電子股份有限公司 Chilisin Electronic sCorp No. 29, Alley 301, Tehhsin Rd., Hukou,Hsinchu 303, Taiwan TEL : +886-3- 599-2646 FAX : +886-3- 599-9176 E-mail : sales@chilisin.com.tw http : //www.chilisin.com.tw</p>	<p>東莞奇力新電子有限公司 Chilisin Electronics (Dongguan) Co., Ltd. No. 78, Puxing Rd., Yuliangwei Administration Area, Qingxi Town, Dongguan City, Guangdong,China TEL : +86-769-8773-0251~3 FAX : +86-769-8773-0232 E-mail : cect@chilisin.com.tw</p>
<p>奇力新電子(河南)有限公司 Chilisin Electronics (Henan) Co., Ltd. XiuWu Xian, industry gathering area JiaoZuo, Henan China Postal Code:454350 TEL:+86-391-717-0682 FAX:+86-391-717-0666</p>	<p>奇力新電子(蘇州)有限公司 Chilisin Electronics (Suzhou) Co., Ltd. No.143,Song Shan Rd., Suzhou New District, Suzhou,China Postal Code:215129 TEL:+86-512-6841-2350 FAX:+86-512-6841-2356 E-mail : suzhou@chilisin.com.tw</p>

Drawn by 周芳如 helen.chou	Checked by 張瑞滿 rammi	Approved by 唐威德 daniel.tang
------------------------------------------	---------------------------------------	----------------------------------------------

BC0610R6H Series Specification

6 Configuration and Dimensions:



7 Electrical Characteristics:

Part No.	Z (Ω) min	Test Freq (MHz)	Rated Current (A)
BC0610R6H-B-3.0-N	580	100	3

NOTE:

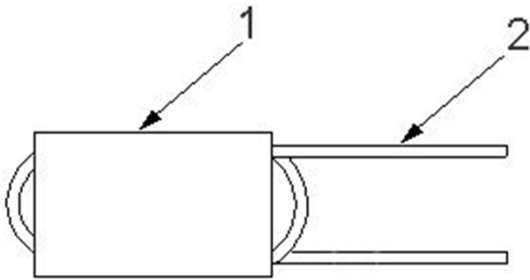
1. Operating temperature range — 25 °C ~ 105 °C (Including self - temperature rise)
2. Rate Current : Applied the current to coils, the temperature rise shall not be more than 30°C

"-N" FOR COMPLETELY LEAD FREE TYPE(INCLUDING FERRITE BODY & SOLDER)

BC0610R6H Series Specification

8 BC0610R6H Series

8.1 Construction:



8.2 Material List:

NO	PART	MATERIAL
1	CORE	Ni-Zn
2	Tin	0.5 Φ covered wire



BC0610R6H Series Specification

9 Reliability Of WIDE BAND CHOKES(BC0610/BC0510 SERIES)

1-1.Mechanical Performance

No	Item	Specification	Test Method
1-1-1	Vibration	Appearance: No damage Impedance: within $\pm 20\%$ of initial value	Test device shall be soldered on the substrate Oscillation Frequency: 10 to 55 to 10Hz for 1min Amplitude: 1.5mm Time: 2hrs for each axis (X, Y & Z), total 6hrs

1-2.Environmental Performance

No	Item	Specification	Test Method		
1-2-1	Temperature Cycle	Appearance: No damage Impedance: within $\pm 20\%$ of initial value	One cycle:		
			Step	Temperature ($^{\circ}\text{C}$)	Time (min)
			1	-25 ± 3	30
			2	25 ± 2	3
			3	105 ± 3	30
4	25 ± 2	3			
			Total: 100cycles Measured after exposure in the room condition for 24hrs		
1-2-2	Humidity Resistance		Temperature: $40\pm 2^{\circ}\text{C}$ Relative Humidity: 90 ~ 95% Time: 1000hrs Measured after exposure in the room condition for 24hrs		
1-2-3	High Temperature Resistance		Temperature: $85\pm 3^{\circ}\text{C}$ Relative Humidity: 0% Applied Current: Rated Current Time: 1000hrs Measured after exposure in the room condition for 24hrs		
1-2-4	Low Temperature Resistance		Temperature: $-25\pm 3^{\circ}\text{C}$ Relative Humidity: 0% Time: 1000hrs Measured after exposure in the room condition for 24hrs		



BC0610R6H Series Specification

10 Test Data for Pre-production Samples

Chilisin P/N: BC0610R6H-B-3.0-N

Measured Item	Z (Ω)	A m/m	B m/m	C m/m						
Spec Customer	580-0									
Suggest		6±0.2	10±0.4	40±3						
Test Freq.	100MHz									
1	1192	6.11	10.04	39.7						
2	1175	6.08	10.01	39.4						
3	1190	6.12	10.02	39.6						
4	1192	6.1	10.06	40.1						
5	1180	6.09	10.02	40						
6										
7										
8										
9										
10										
11										
12										
13										
14										
15										
<u>X</u>	1185.8	6.1	10.03	39.76						
R	17	0.04	0.05	0.7						
Customer										
Sample										

Test Instrument
HP4287A RF LCR METER FOR Z

Appearance and Dimensions:
 SPEC : Refer to Item 6
 Test Method : Visual Inspection and Measured with Slide Calipers.

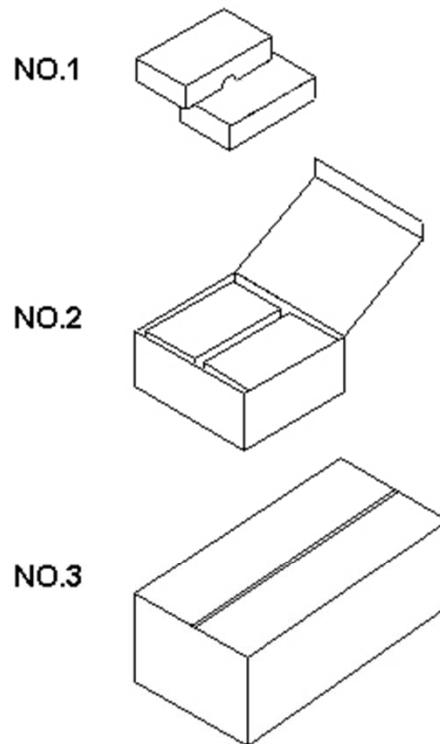
Test Conditions:

	Unless Otherwise Specified	In Case of Doubt
Temperature	Ordinary Temperature (15 to 35°C)	20 ± 2 °C
Humidity	Ordinary Humidity (25 to 85 %RH)	60 to 70 %RH

BC0610R6H Series Specification

11 Packaging:

Packing Quantity & Dimensions



TS/Quantity.	NO.1	NO.2	NO.3
1.5	200PCS	800PCS	3200PCS
1.5*2	150PCS	600PCS	2400PCS
2.5	200PCS	800PCS	3200PCS
3.0	300PCS	1200PCS	4800PCS
Carton dimensions in mm	148L*80W*33H	175L*165W*85H	365L*185W*175H

12 Note:

1. Please make sure that your product is has been evaluated and confirmed against your specifications when our product is mounted to your product.
2. Do not knock nor drop.
3. All the items and parameters in this product specification have been prescribed on the premise that our product is used for the purpose,under the condition and in the environment agreed upon between you and us. You are requested not to use our product deviating from such agreement.
4. Please keep the distance between transformer/coil and other components (refer to the standard IEC 950)



BC0610R6H Series Specification

13 Graph:

