

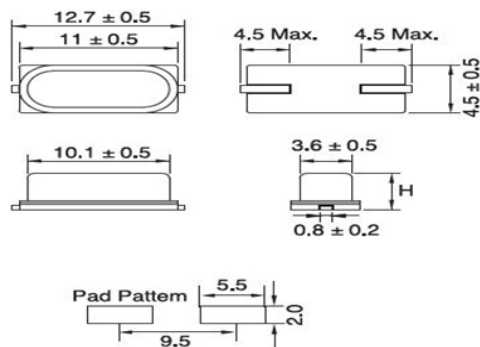
## FEATURES

- DIMENSION (mm) : 12.5 X 4.70 X 4.20T
- METAL WELDED PACKAGE
- RoHS COMPLIANT

## SPECIFICATIONS

|    | Item                         | Conditions | Specifications             |
|----|------------------------------|------------|----------------------------|
| 1  | HOLDER TYPE                  | HC-49/SM   | AT-41CD2                   |
| 2  | FREQUENCY RANGE              | MHz        | 5.5296MHz                  |
| 3  | OSCILLATION MODE             |            | Fundamental                |
| 4  | FREQUENCY TOLERANCE          | AT +25±3°C | ±20ppm                     |
| 5  | FREQUENCY STABILITY          | PPM        | ±30ppm                     |
| 6  | OPERATING TEMPERATURE RANGE  | °C         | -40 ~ +85°C                |
| 7  | STORAGE TEMPERATURE RANGE    | °C         | -55 ~ +125°C               |
| 8  | EQUIVALENT SERIES RESISTANCE | ESR (Ω)    | 100Ω                       |
| 9  | LOAD CAPACITANCE             | pF         | 8                          |
| 10 | SHUNT CAPACITANCE            | Co         | 7.0pF                      |
| 11 | MOTIONAL CAPACITANCE         | C1         | NA                         |
| 12 | DRIVE LEVEL                  | mW         | 1.0mW Max (0.1mW TYPICAL ) |
| 13 | INSULATION RESISTANCE        |            | > 500MΩ AT 100VDC          |
| 14 | AGING/YEAR                   | PPM        | <±3ppm                     |

## DIMENSION



|      |       |
|------|-------|
|      | H.MAX |
| 49 M | 4.2   |