



FEATURES:

- RoHS compliant
- Wide 4:1 input range
- High efficiency up to 86%
- Shielded metal package
- Operating temperature -40°C to + 71°C
- Input / Output Isolation 1500VDC
- Pin compatible with multiple manufacturers
- Continuous short circuit protection

Models
Single output

Model	Input Voltage (V)	Output Voltage (V)	Output Current max (mA)	Isolation (VDC)	Efficiency (%)
AM6TW-2403S-NZ	9-36	3.3	1500	1500	74
AM6TW-2405S-NZ	9-36	5	1200	1500	76
AM6TW-2412S-NZ	9-36	12	500	1500	78
AM6TW-2415S-NZ	9-36	15	400	1500	82
AM6TW-2424S-NZ	9-36	24	250	1500	85
AM6TW-4803S-NZ	18-72	3.3	1500	1500	76
AM6TW-4805S-NZ	18-72	5	1200	1500	78
AM6TW-4812S-NZ	18-72	12	500	1500	81
AM6TW-4815S-NZ	18-72	15	400	1500	84
AM6TW-4824S-NZ	18-72	24	250	1500	85

Models
Dual output

Model	Input Voltage (V)	Output Voltage (V)	Output Current max (mA)	Isolation (VDC)	Efficiency (%)
AM6TW-2405D-NZ	9-36	±5	±600	1500	77
AM6TW-2412D-NZ	9-36	±12	±250	1500	79
AM6TW-2415D-NZ	9-36	±15	±200	1500	83
AM6TW-2424D-NZ	9-36	±24	±125	1500	85
AM6TW-4805D-NZ	18-72	±5	±600	1500	80
AM6TW-4812D-NZ	18-72	±12	±250	1500	83
AM6TW-4815D-NZ	18-72	±15	±200	1500	85
AM6TW-4824D-NZ	18-72	±24	±125	1500	86

Input Specifications

Parameters	Conditions	Typical	Maximum	Units
Voltage range		24, 9-36 48, 18-72		VDC
Filter		π (Pi) Network		

Isolation Specifications

Parameters	Conditions	Typical	Maximum	Units
Rated voltage		1500		VDC
Resistance		> 1000		MOhm

Output Specifications

Parameters	Conditions	Typical	Maximum	Units
Voltage accuracy (single output)			±1	%
Voltage accuracy (dual output)		±1p. and ±3n.		%
Short Circuit protection	Continuous			
Short circuit restart	Automatic			
Line voltage regulation (Single)			±0.5	%

Output Specifications (continued)

Parameters	Conditions	Typical	Maximum	Units
Line voltage regulation (Dual)			±0.5	%
Load voltage regulation (Single)			±1	%
Load voltage regulation (Dual)			±1	%
Temperature coefficient		±0.02		%/°C
Ripple		30		mV p-p
Noise		100		mV p-p

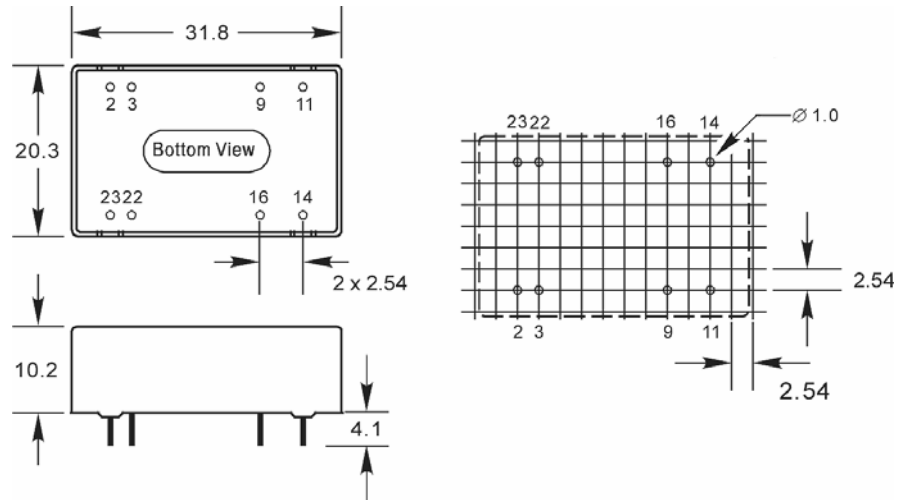
General Specifications

Parameters	Conditions	Typical	Maximum	Units
Switching frequency	Single 100% load	300		KHz
	dual 100% load	250		KHz
Operating temperature		-40 to +71		°C
Storage temperature		-55 to +125		°C
Case temperature			100	°C
Derating		Non-Required		
Cooling	Free air convection			
Humidity	Non condensing		95	%
Case material		Metal		
Weight		26		g
Dimensions		1.25 x 0.8 x 0.4 inches	31.75 x 20.32 x 10.16 mm	
MTBF		>1 000 000 hrs (MIL-HDBK -217F, Ground Benign, t=+25°C)		

Pin Out Specifications

Pin	1500VDC	
	Single	Dual
1	No pin	No pin
2	-V Input	-V Input
3	-V Input	-V Input
9	No pin	Common
10	No pin	No pin
11	N.C.	-V Output
12/13	No pin	No pin
14	+V Output	+V Output
15	No pin	No pin
16	-V Output	Common
22	+V Input	+V Input
23	+V Input	+V Input
24	No pin	No pin

Dimensions

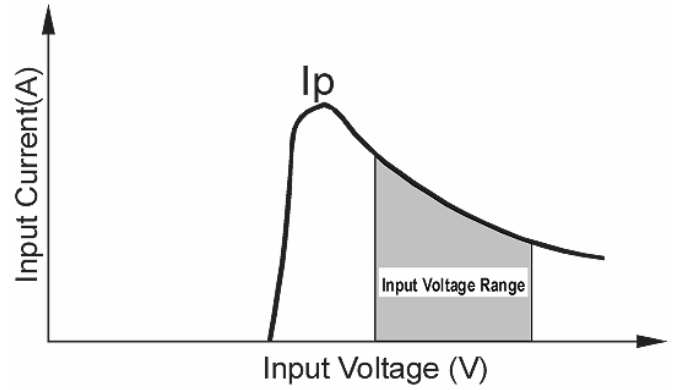
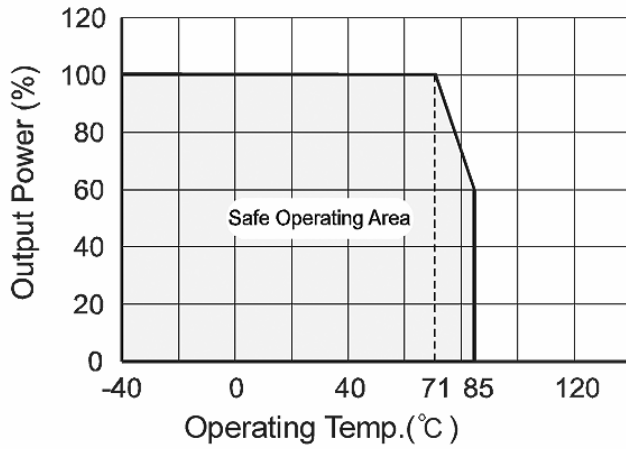


External Capacitor
Single and Dual

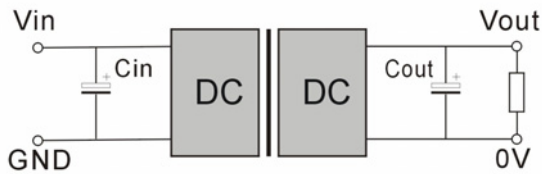
Vin (V)	Cin (uF)	Vout (V)	Cout
24	100	5	100 uF each 1A current
48	100	12	
		15	
		24	

Typical characteristics

Temperature Derating Graph



Recommended Circuit – Single Output



Recommended Circuit –Dual Output

