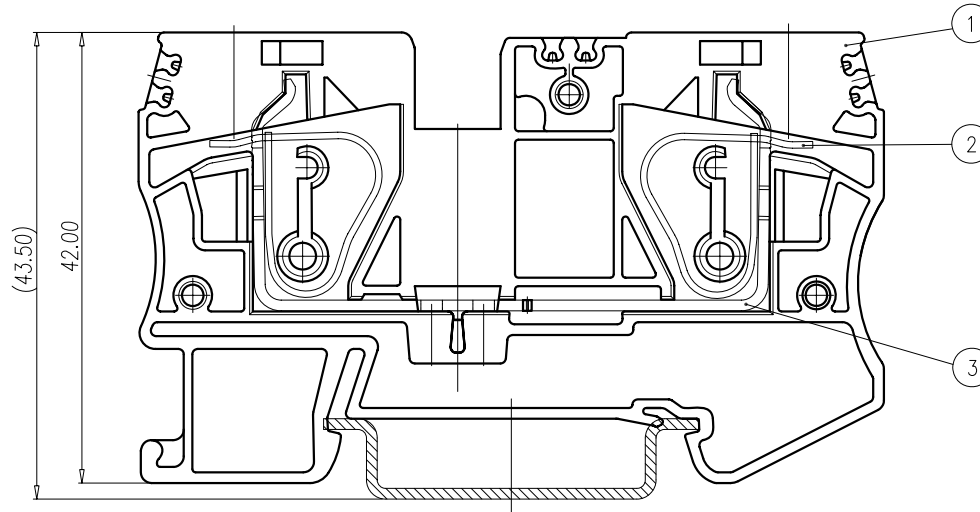
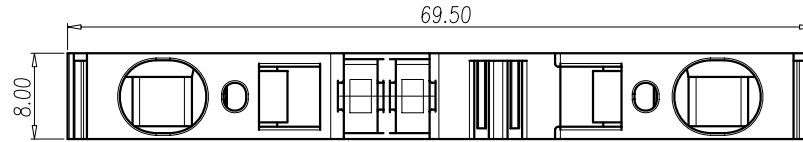


NOTES:

1. Rating: UL 600V 35A  
IEC 800V 41A
2. Insulation Withstands Voltage:  
AC 2500V at 1 minute
3. Insulation Resistance:  
500MΩ or more at DC500V
4. Using Temperature Range:  
-40°C~+105°C
6. Suitable Electric Wire: AWG 24~8  
(0.5~6mm<sup>2</sup>)
7. RoHS compliance



3	CONDUCTOR	COPPER-ALLOY	Tin Plated
2	CAGE CLAMP	SPRING STEEL	
1	HOUSING	PA66	UL94-V0 GREY
ITEM	NAME OF PART	MATERIAL	NOTES

Normal Geometric Tolerancing				
-	//	≡	⊥	
0 to 100	0.2	0.3	0 to 10	0.2
over 100 to 150	0.3		over 10	0.3
over 150	0.5			
Total Pitch Tolerances		Normal dimension Tolerances		
0<U<=30	±0.20	0~30	±0.25	
30<U<=53	±0.25	over 30~53	±0.30	
53<U<=70	±0.30	over 53~70	±0.35	
70<U<=90	±0.35	over 70~90	±0.44	

DWG.	Hgx	DATE	11.12.19	UNITS	MM	SHEET/OF	1/1
CHK.		DATE		SCALE	2:1 ( : )		
APP.		DATE		NAME	AK6		
REV.	CONTENT	CHK.	DATE	<b>DINKLE</b> ENTERPRISE CO.,LTD	DWG NO.	SP-03-AK600000	