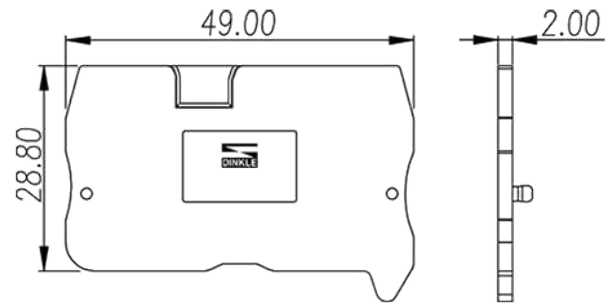


AK2.5C-YG



DIN Rail Terminal Blocks > Accessories



Specification

Product description	End cover
Color	Green-Yellow (default)
Material	PA66
Inflammability class	UL94-V0
Compatible products	AK1.5-PE / AK2.5-PE
Package	50 pcs / box