

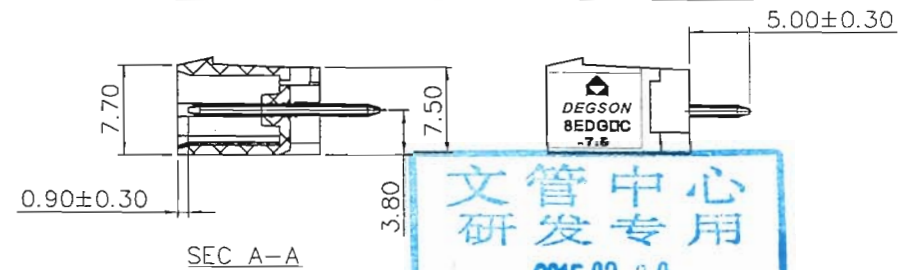
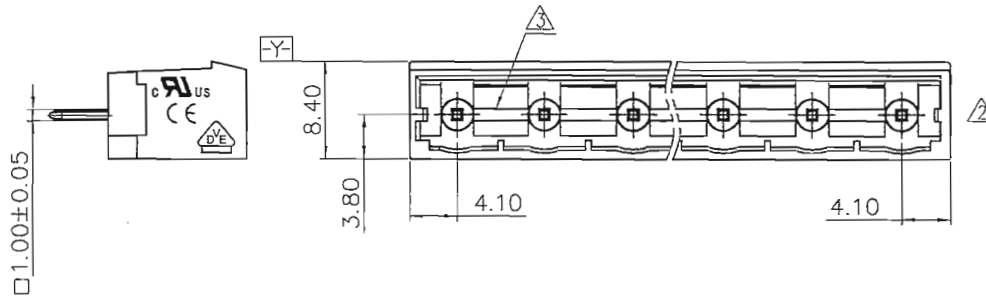
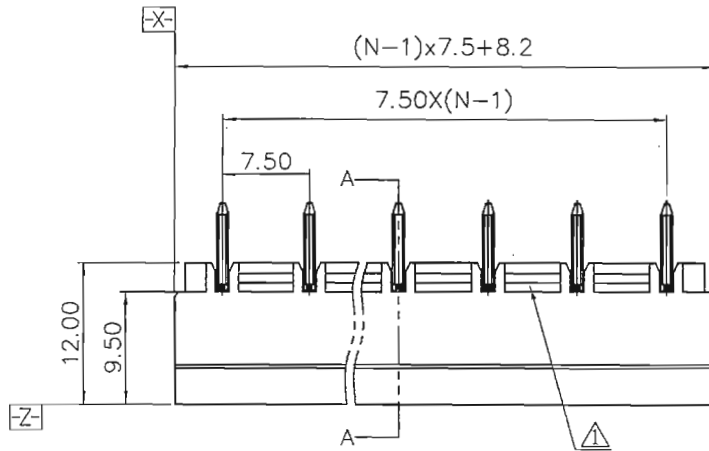
REVISION RECORD

REV	ECN	DESCRIPTION	DRFT	DATE
△1	12-0022	将黄铜针变更为紫铜针	HXG	02/27/12"
△2	12-0063	改善插拔易歪斜异常	Alan	03/31/12"
△3	15-0083	依实物修订图面、技术参数	GYZ	08/27/14"

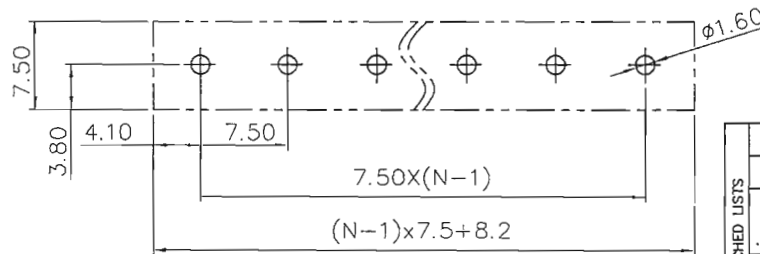
NOTES:

- 1.DIMENSION SHALL BE INTERPRETED PER ASME Y14.5-2009.
- 2.PITCH: 7.5MM ,POLES: 2-12P
- 3.RATED VOLTAGE/CURRENT: UL1059 300V/15A
IEC 400V/20A
- 4.OPERATION TEMPERATURES: -40℃~+105℃
- △5.RATED IMPULSE VOLTAGE: 4.0KV
- 6.UNDIMENSIONED TOLERANCES:

PITCH RANGE IN MM		NOMINAL DIMENSION RANGE IN MM						
TO	OVER	OVER		OVER	OVER	OVER	OVER	∩
6	6	10	TO	30	60	100	OVER	◇
	10	24	30	60	100	150	150	
	±0.10	±0.15	±0.25	±0.20	±0.30	±0.50	±0.70	±1.00
								0.05/10



文管中心
研发专用
2015.03.30
(仅限内部使用, 对外无效)



2	8EDGVCB-Pin header△	1203B00010(H)	XX	Copper	Sn Plated
1	8EDGV/RC-7.5-Housing	1122AYYXXA(H)	1	PA66	UL94V-0
ITEM	NAME OF PART	NO. OF PART	Q'TY	MATERIAL	NOTES

<p>DETAILED LISTS</p> <p>← MM (INCH) →</p> <p>TOLERANCES EXCEPT AS NOTED</p> <table> <tr> <td>.X ±</td> <td>.X" ±</td> </tr> <tr> <td>.XX ±</td> <td>.XX" ±</td> </tr> <tr> <td>.XXX ±</td> <td>.XXX" ±</td> </tr> </table> <p>ANGLES ± 1'</p> <p>THIRD ANGLE PROJECTION</p>		.X ±	.X" ±	.XX ±	.XX" ±	.XXX ±	.XXX" ±	<p>MATERIAL:</p> <p>FINISH:</p> <p>PART NO.:</p> <p>NAME:</p> <p>APPD: <i>Alan 3/24/15</i></p> <p>CHKD: <i>Alan 3/24/15</i></p> <p>DRFT: GYZ 08/26/14"</p>	<p>宁波高正电子有限公司</p> <p>DEGSON® DEGSON ELECTRONICS CO., LTD</p> <p>8EDGVC-7.5-XXP-1Y-00A(H)</p> <p>TITLE: ASSEMBLY DRAWING</p> <p>DRAWING NO.: 8EDGVC-7.5-E03</p> <p>DO NOT SCALE DRAWING</p>	<p>REV</p> <p>T3</p> <p>SHEET</p> <p>1/1</p>
.X ±	.X" ±									
.XX ±	.XX" ±									
.XXX ±	.XXX" ±									