

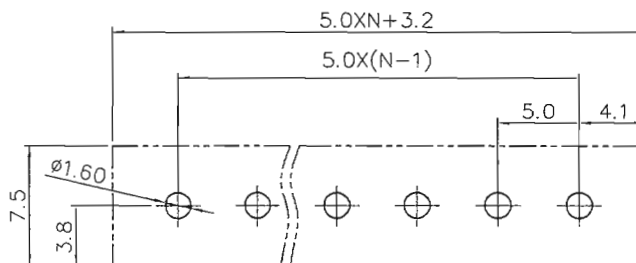
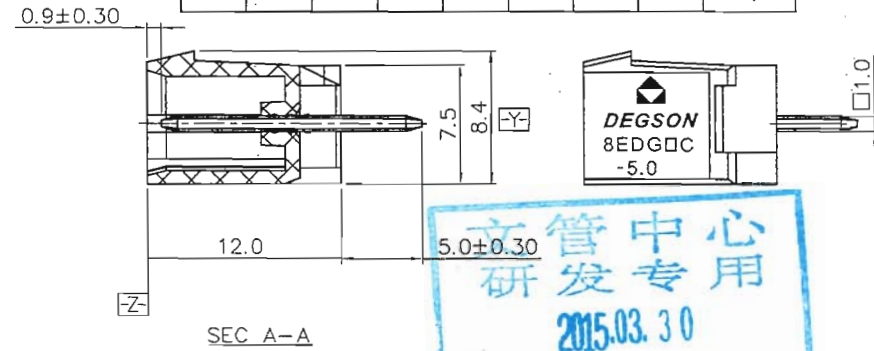
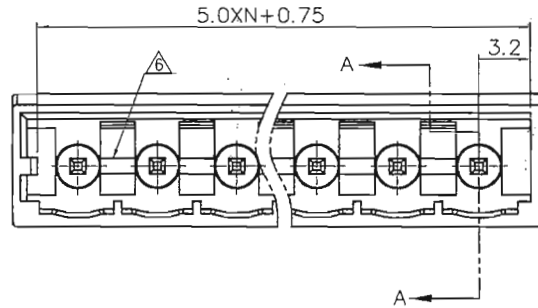
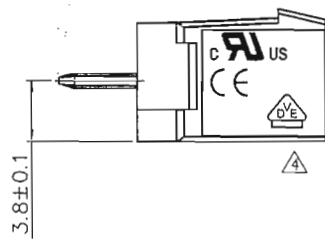
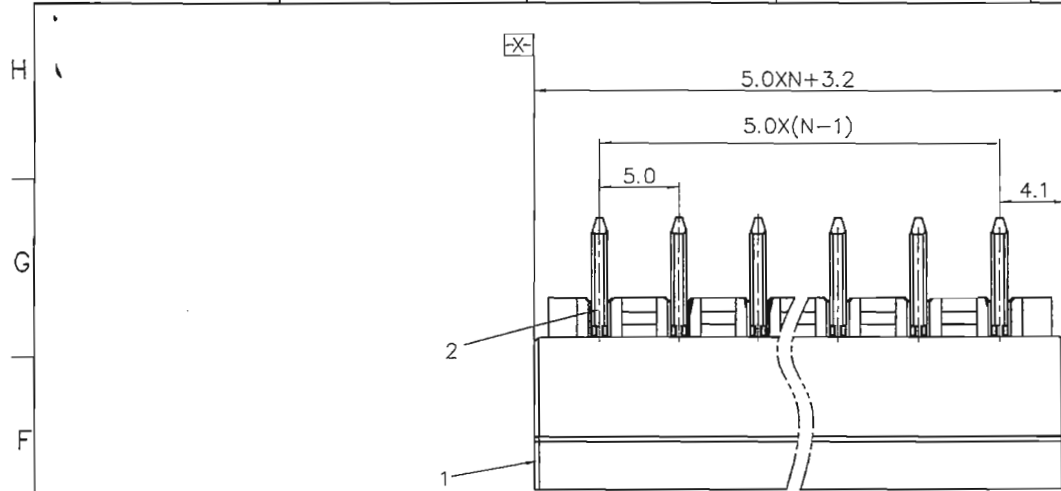
REVISION RECORD

REV	ECN	DESCRIPTION	DRFT	DATE
△		增加UL、CE刻字	csx	02/26/08"
△		修改视图	LJH	05/16/09"
△	10-0029	全面修改塑件结构	CW	03/24/10"
△	10-0325	增加"VDE"刻字	Jinhai.Lar	09/29/10"
△	12-0022	将黄铜针变更为紫铜针	HXG	02/27/12"
△	15-0083	依实物修订图面、修订技术参数	GYZ	03/07/15"

NOTES:

- 1.DIMENSION SHALL BE INTERPRETED PER ASME Y14.5-2009.
- 2.PITCH: 5.0MM ,POLES: 2-24P
- 3.RATED VOLTAGE/CURRENT: UL 300V/15A
VDE 320V/20A
- 4.OPERATION TEMPERATURES: -40℃~+105℃
- △5.RATED IMPULSE VOLTAGE: 4.0KV
- 6.UNDIMENSIONED TOLERANCES:

PITCH RANGE IN MM		NOMINAL DIMENSION RANGE IN MM					-		
TO	OVER	OVER	OVER	OVER	OVER	OVER	○		
6	6 TO 10	10 TO 24	30 TO 60	60 TO 100	100 TO 150	150	◇		
	±0.10	±0.15	±0.25	±0.20	±0.30	±0.50	±0.70	±1.00	0.05/10



文管中心
 研发专用
 2015.03.30
 (仅限内部使用, 对外无效)

ITEM	NAME OF PART	NO. OF PART	Q'TY	MATERIAL	NOTES
2	8EDGVCB-Pin header	1203B00010(H)	XX	Copper	Sn plated
1	8EDGVC-5.0 Housing	1089A41XXA(H)	1	PA66	UL94V-0

DETACHED LISTS	TOLERANCES EXCEPT AS NOTED		MATERIAL:		FINISH:		PART NO.:		NAME:		
	.X ±	.X' ±	DEGSON®		DEGSON ELECTRONICS CO., LTD		8EDGVC-5.0-XXP-11-01A(H)		NINGBO HONGZHENG ELECTRONICS CO., LTD		
	.XX ±	.XX' ±	APPD: Alan 03/18/15"		TITLE: ASSEMBLY DRAWING		DRAWING NO.: 8EDGVC-5.0-E01		REV	T6	
	.XXX ±	.XXX' ±	CHKD: Lex 3/17/15"		DRFT: ZYH 06/08/07"		DO NOT SCALE DRAWING		SCALE	N/A	
ANGLES ± 1'		THIRD ANGLE PROJECTION		DRFT: ZYH 06/08/07"		DO NOT SCALE DRAWING		SCALE	N/A	SHEET	1/1