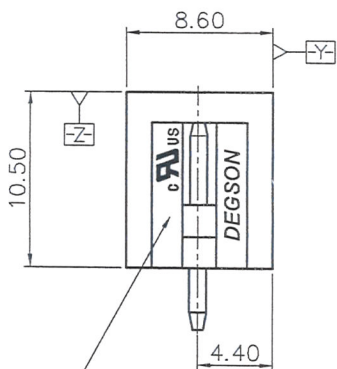
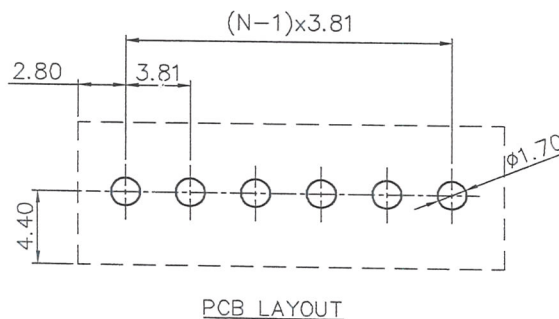
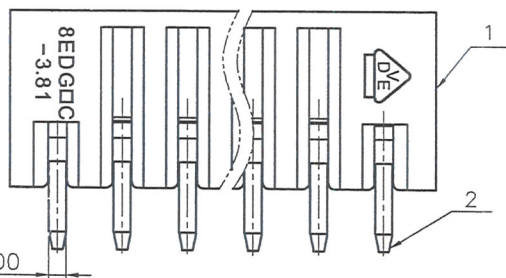
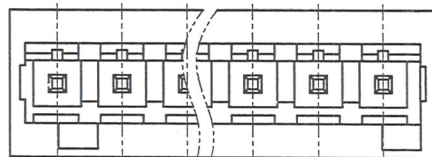
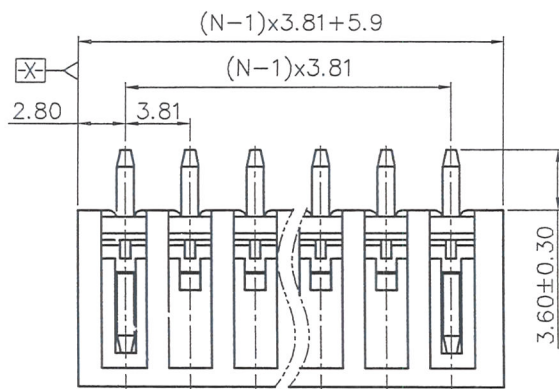


| REVISION RECORD | | | | |
|-----------------|-----|-------------|------|------|
| REV | ECN | DESCRIPTION | DRFT | DATE |



Printing on both side is ok

NOTES1:

UL Standard

1. Rated voltage/current : 300V / 10A
2. Withstanding voltage : AC1600V/1Min.

IEC Standard

| | |
|--------------------------|-------|
| 1. Pollution Degree | 3 |
| Overvoltage Category | III |
| Rate Impulse Voltage(KV) | 2.5KV |
| Rate Voltage(V) | 130V |
| Rate Current(A) | 10A |

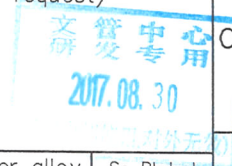
NOTES2:

1. Dimension shall be interpreted per ASME Y14.5-2009
2. Pitch : 3.81mm, Poles : N=2~24P
3. Operating temperature: -40°C~+105°C
4. Standard color number: PANTONE 7534U
5. Undimensioned tolerances:

| Pitch mm | Range In | | Nominal Dimension Range In mm | | | | | | | Tolerance |
|----------|--------------|---------------|-------------------------------|---------------|-----------------|-----------------|-----------------|--------|--|-----------|
| | Over 6 TO 10 | Over 10 TO 24 | Over 30 TO 30 | Over 60 TO 60 | Over 100 TO 100 | Over 150 TO 150 | Over 150 TO 150 | 0.1/10 | | |
| ±0.15 | ±0.20 | ±0.30 | ±0.30 | ±0.50 | ±0.70 | ±1.00 | ±1.30 | ±2' | | |

6. RoHS Compliance

8EDGVC - 3.81 - XXP - 11 - 01A (H)
 (Series No.) (Pitch) (Poles) (Single Pitch) (Color)
 (RoHS)
 01A--(Customer request)



| 2 | Pin header | copper alloy | Sn Plated |
|------|--------------|--------------|-----------|
| 1 | Housing | PA66 | UL94V-0 |
| ITEM | NAME OF PART | MATERIAL | NOTES |

| | | | |
|-----------------------------|------------------------------|---|-----------|
| PART NO.: / | | 宁波高松电子有限公司 NINGBO DEGSON ELECTRICAL CO., LTD | |
| APPD: <i>Agum 2017.8.24</i> | NAME: | 8EDGVC-3.81-XXP-11-01A(H) | |
| CHKD: <i>CLB 2017.8.24</i> | TITLE: CUSTOMER DRAWING | | |
| DRFT: <i>Song 01/08/16"</i> | DRAWING NO.: 8EDGVC-3.81-C01 | REV | TO |
| THIRD ANGLE PROJECTION | | DO NOT SCALE DRAWING | SCALE 1:1 |