

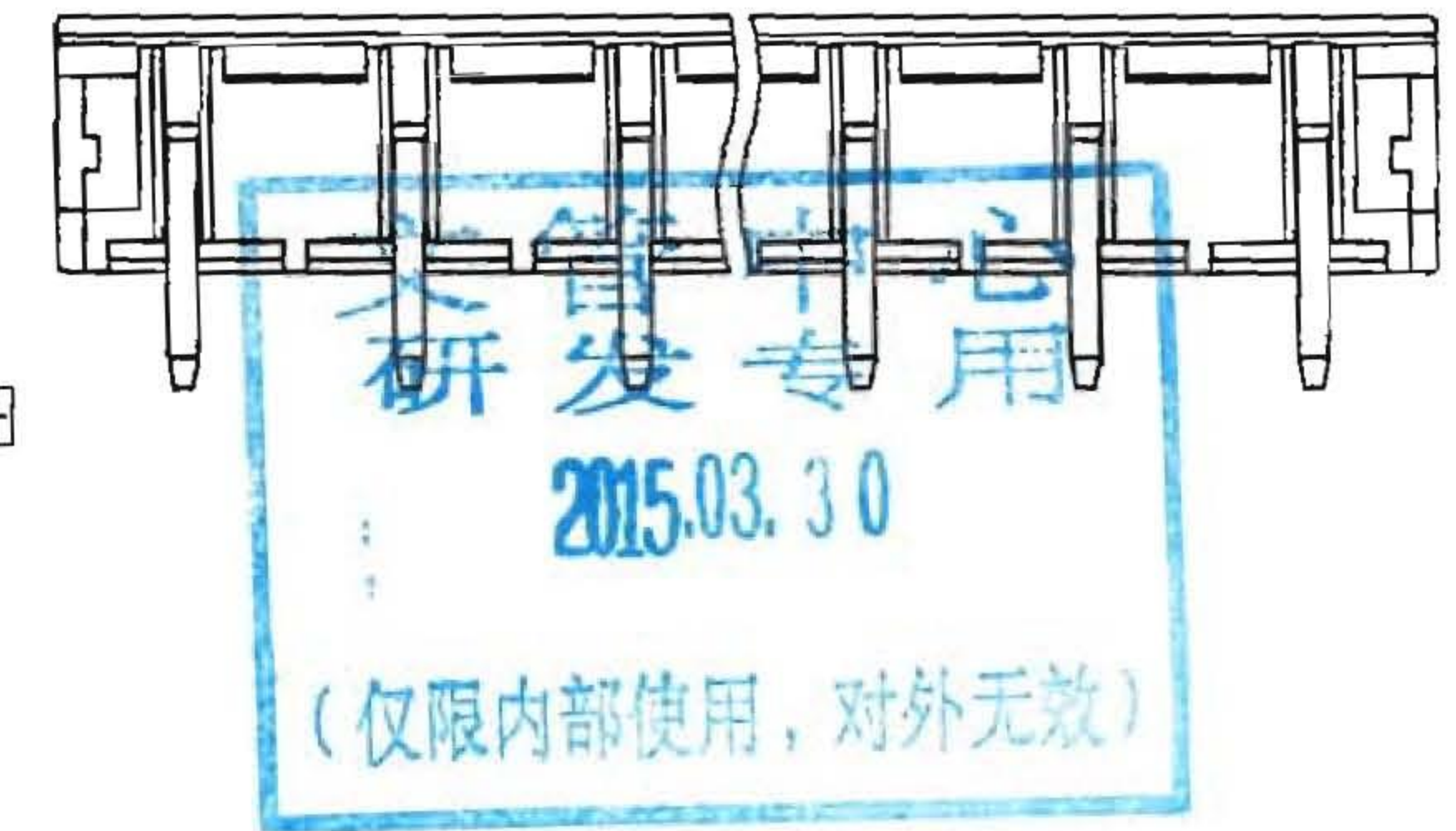
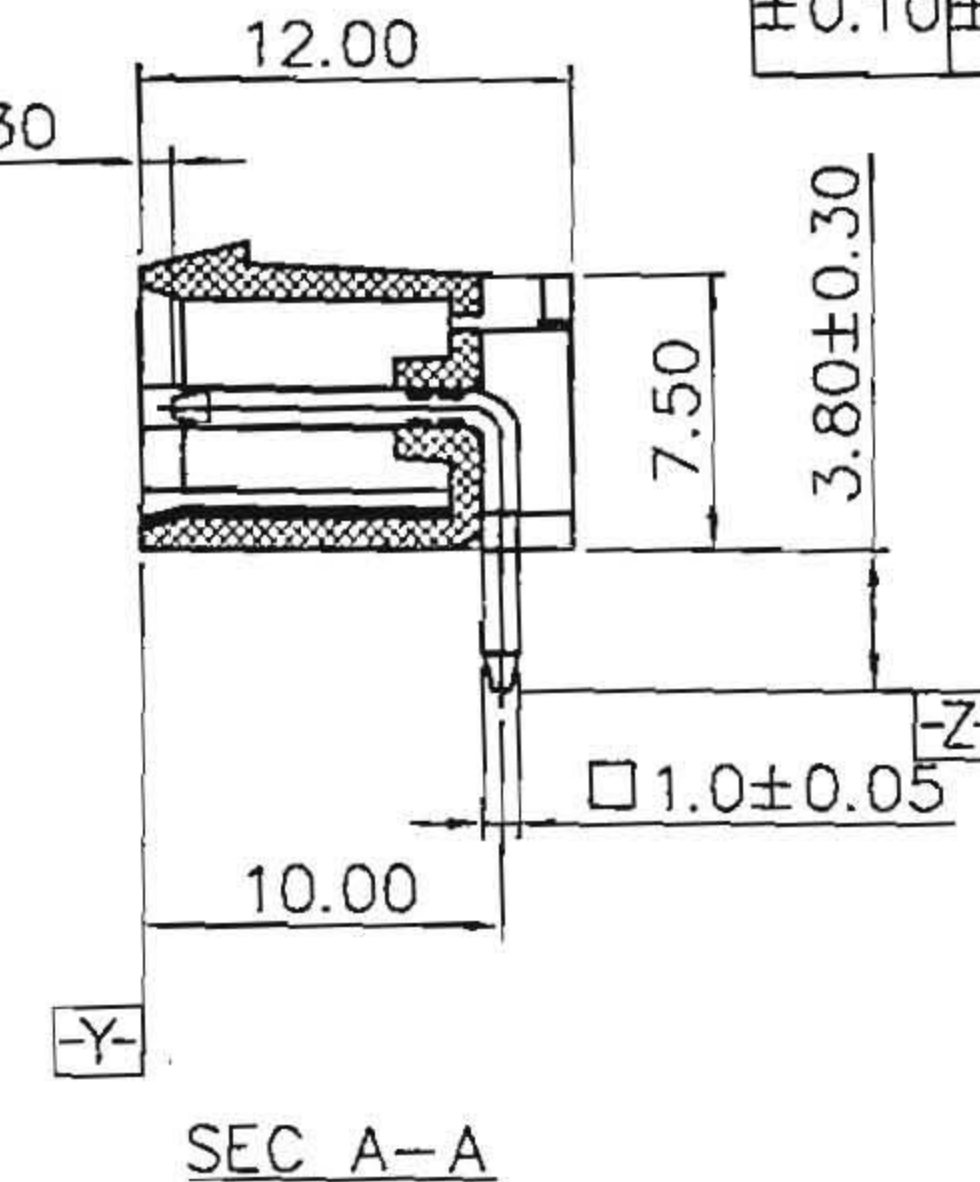
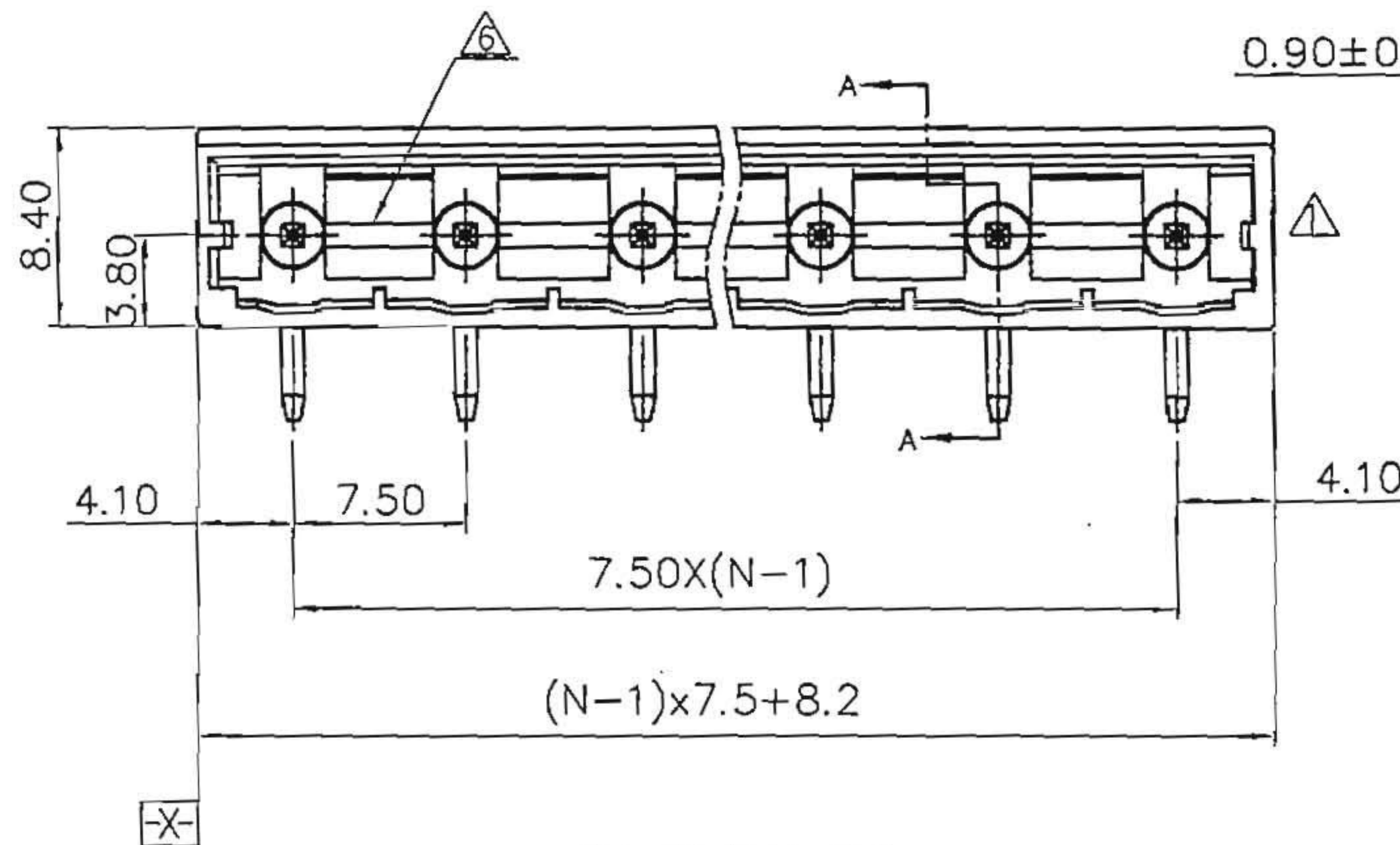
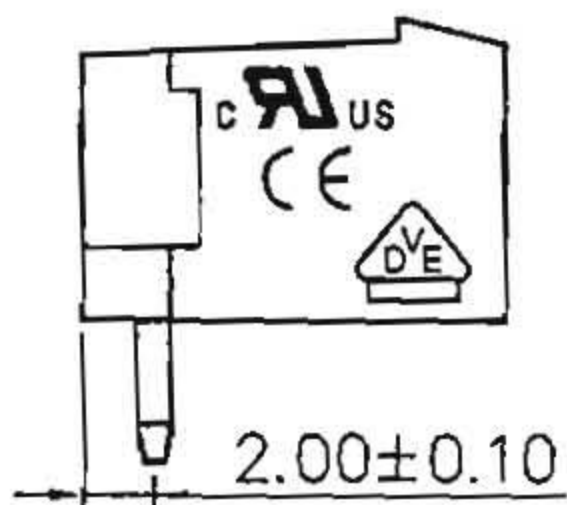
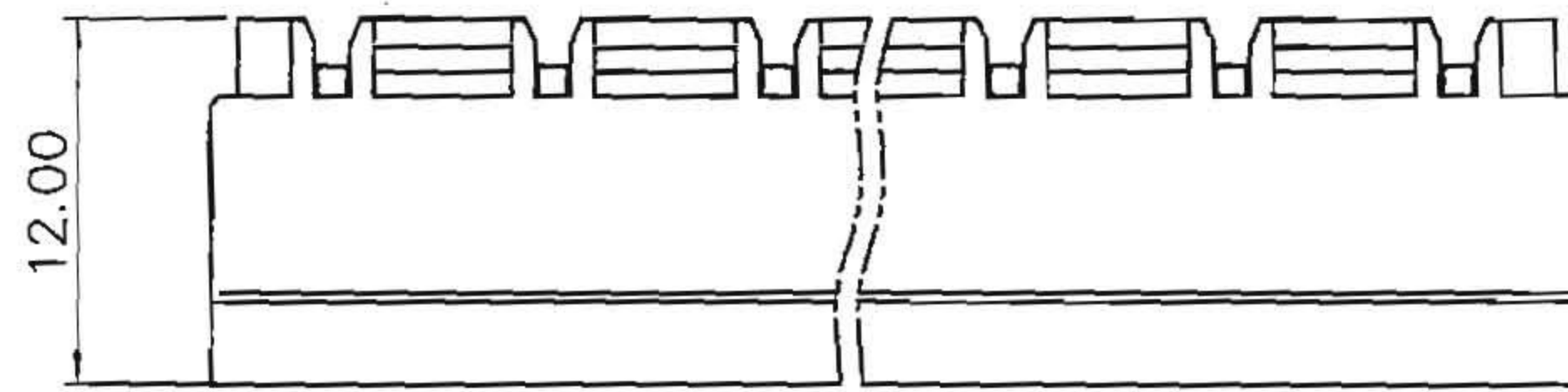
REVISION RECORD

REV	ECN	DESCRIPTION	DRFT	DATE
△1	10-0017	8EDGV/RC-7.5- 整体由T0改为T1	HXG	04/07/10"
△2	10-0360	增加"VDE"认证标志	linhai.Lar	09/04/10"
△3	12-0020	将黄铜针变更为紫铜针	HXG	02/20/12"
△4	12-0063	容许插拔歪斜, 易松动.	Alan	03/31/12"
△5		视图刻字修订	JEX	12/13/12"
△6	15-0083	依实物修订图面、技术参数	GYZ	08/26/14"

NOTES:

- 1.DIMENSION SHALL BE INTERPRETED PER ASME Y14.5-2009.
- 2.PITCH: 7.5MM ,POLES: 2-12P
- 3.RATED VOLTAGE/CURRENT: UL 300V/15A  
VDE 400V/20A
- 4.OPERATION TEMPERATURES: -40℃~+105℃
- △5.RATED IMPUSE VOLTAGE: 4.0KV
- 6.UNDIMENSIONED TOLERANCES:

PITCH RANGE IN MM		NOMINAL DIMENSION RANGE IN MM						-
TO	OVER	OVER		OVER	OVER	OVER		∩
6	6 TO 10	10 TO 24	30	30 TO 60	60 TO 100	100 TO 150	OVER 150	◇
	±0.10	±0.15	±0.25	±0.20	±0.30	±0.50	±0.70	±1.00
								0.05/10



ITEM	NAME OF PART	NO. OF PART	Q"TY	MATERIAL	NOTES
2	8EDGRCB-Pin header	1203B00020(H)	XX	Copper	Sn Plated
1	8EDGV/RC-7.5 Housing	1122A41XXA(H)	1	PA66	UL94V-0

TOLERANCES EXCEPT AS NOTED		FINISH:		MATERIAL:	
.X ±	.X' ±	PART NO.:		NAME:	
.XX ±	.XX' ±	Series 8EDGRC-7.5		8EDGRC-7.5-XXP-11-01A(H)	
.XXX ±	.XXX' ±	APPD: <i>Apron 3/2/15</i>		TITLE: ASSEMBLY DRAWING	
ANGLES ± 1'		CHKD: <i>Jun 3/2/15</i>		DRAWING NO.: 8EDGRC-7.5-E01	
THIRD ANGLE PROJECTION		DRFT: Zhuwm 05/04/08"		DO NOT SCALE DRAWING	
		SCALE		N/A	
		SHEET		1/1	

DEGSON® 宁波高正电子有限公司  
Ningbo Degson Electrical Co., Ltd.

REV T6

REV T6

SHEET 1/1