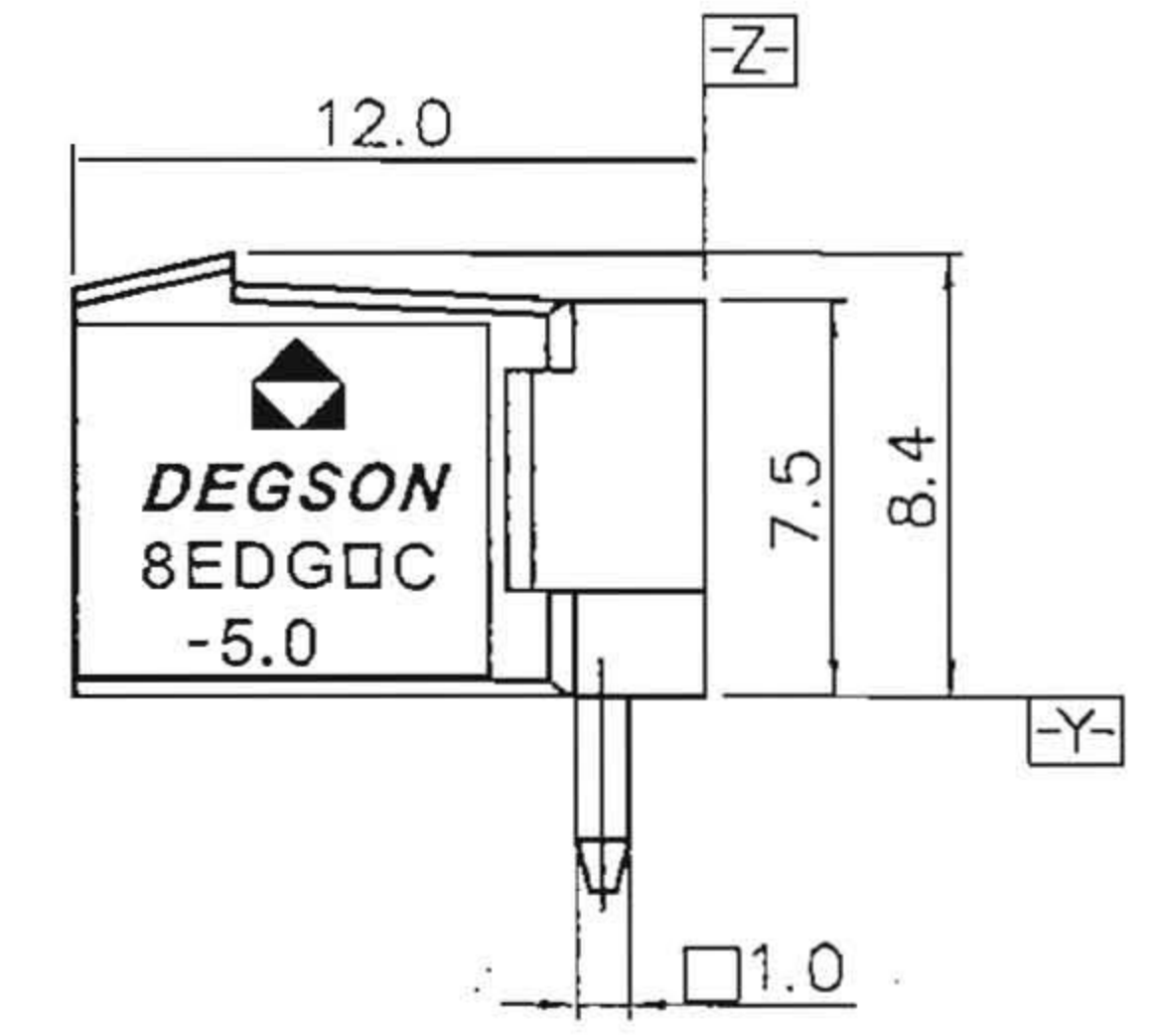
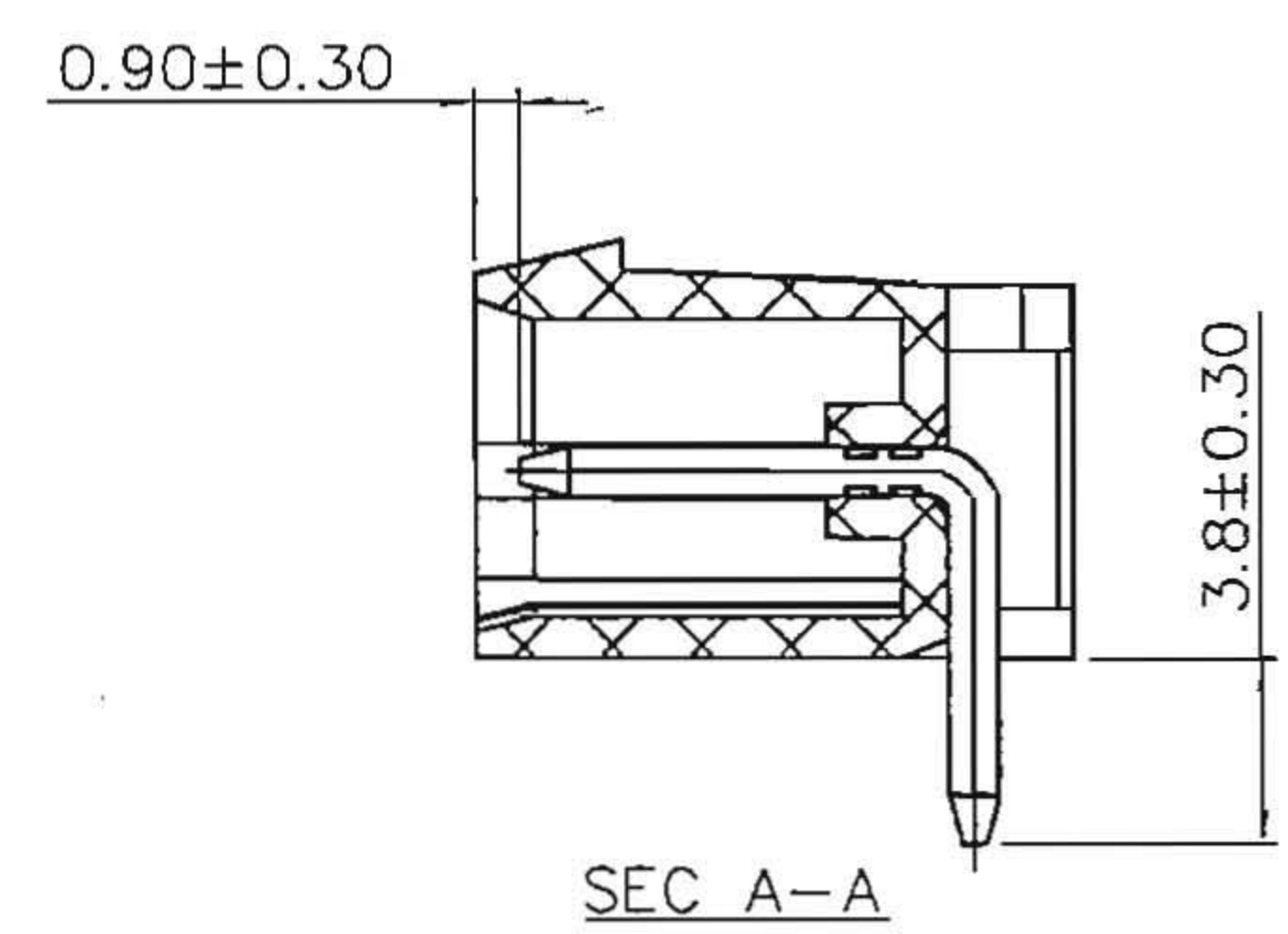
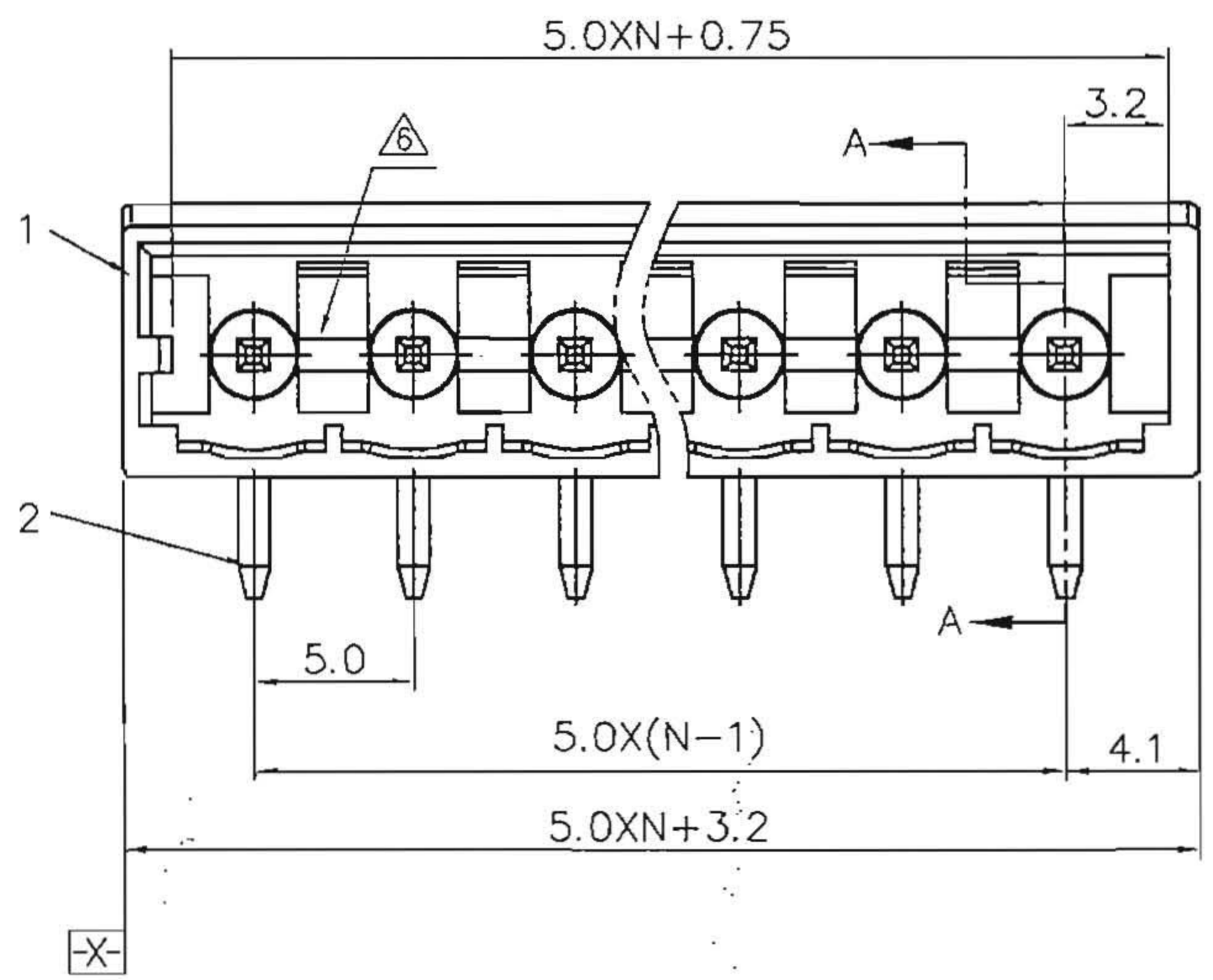
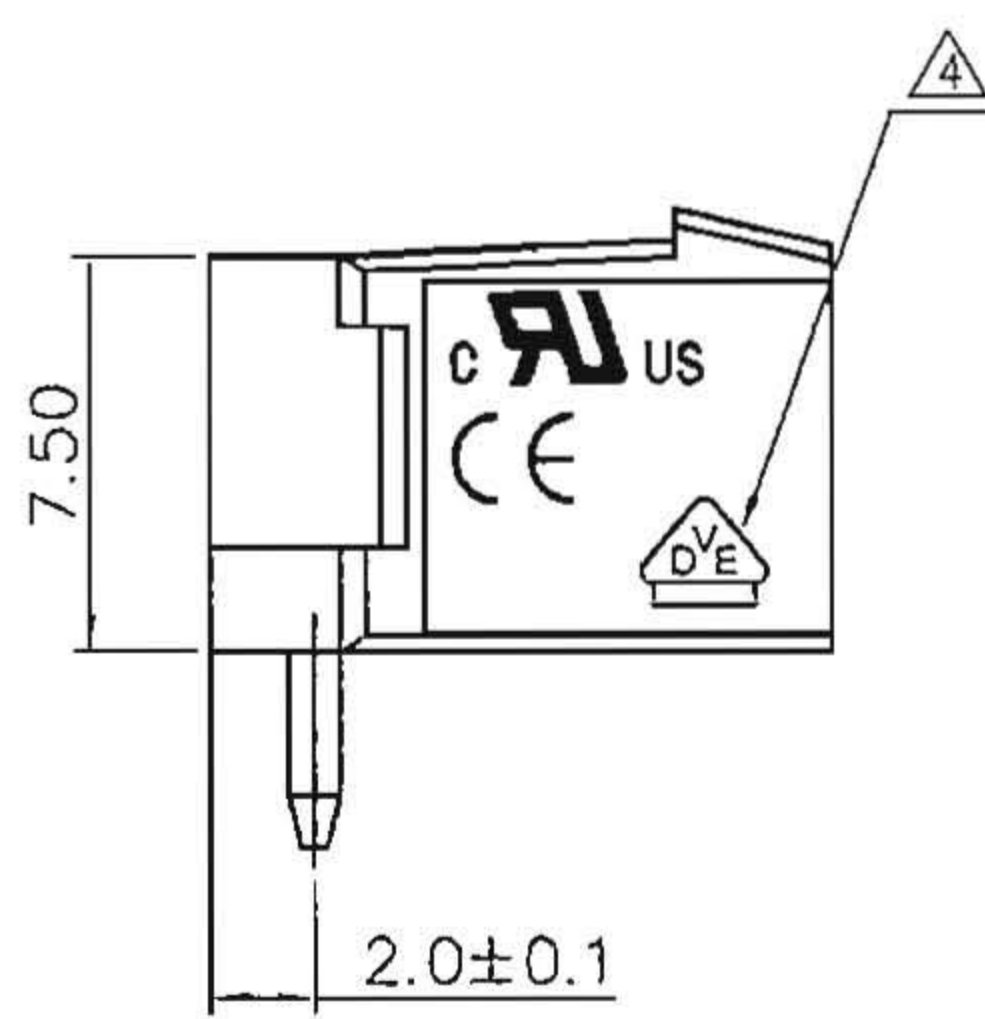
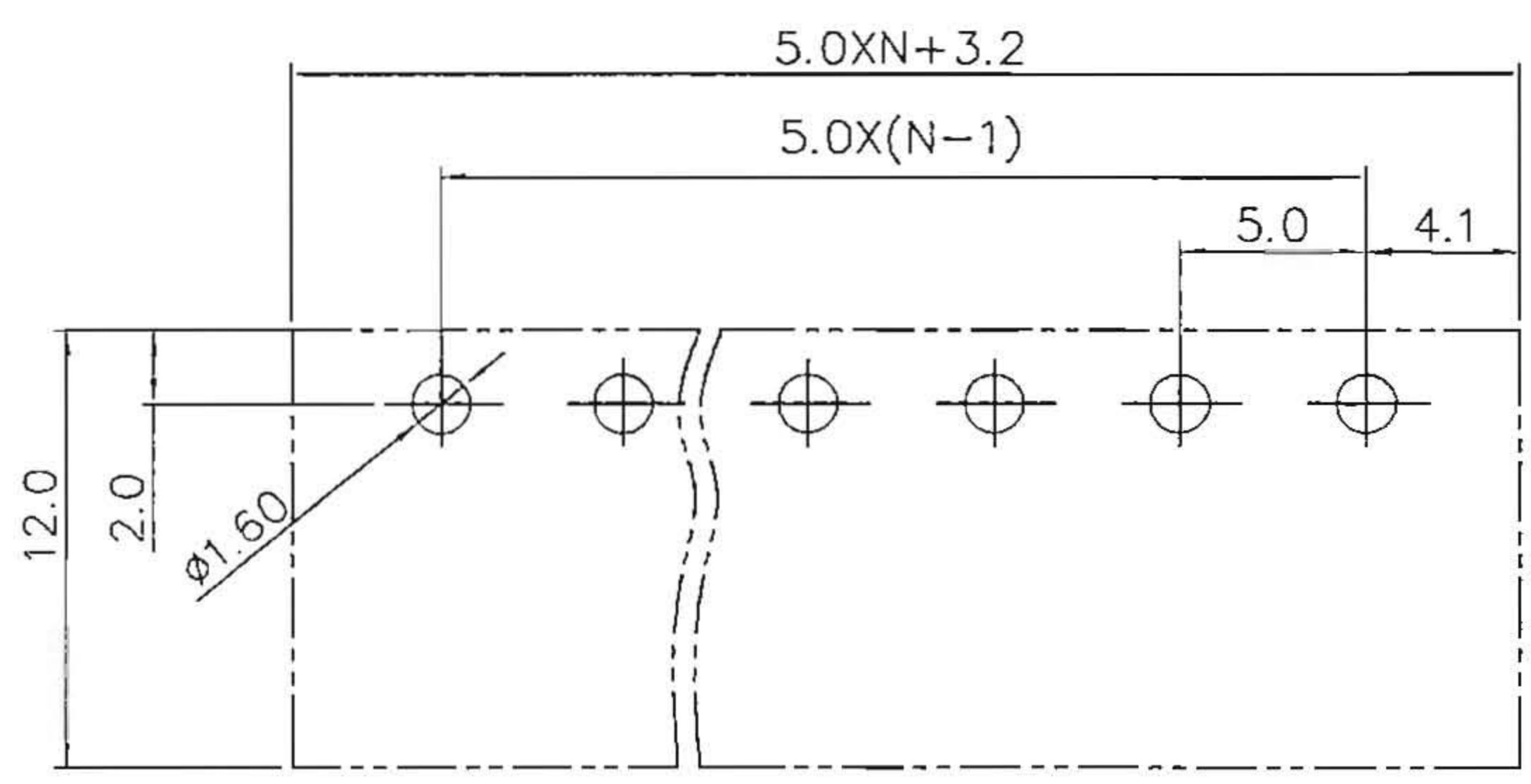


REVISION RECORD				
REV	ECN	DESCRIPTION	DRFT	DATE
①		增加UL、CE刻字	csx	02/26/08
②		修改视图	LJH	05/16/09
③	10-0029	全面修改塑件结构	CW	03/24/10
④	10-0325	增加“VDE”刻字	Jinhai.Lar	09/29/10
⑤	12-0020	将黄铜针变更为紫铜针	HXG	02/27/12
⑥	15-0083	依实物修订图面, 修订技术参数	GYZ	03/07/15



- NOTES:
- 1.DIMENSION SHALL BE INTERPRETED PER ASME Y14.5-2009.
 - 2.PITCH: 5.0MM ,POLES: 2-24P
 - 3.RATED VOLTAGE/CURRENT: UL 300V/15A
VDE 320V/20A
 - 4.OPERATION TEMPERATURES: -40℃~+105℃
 - ⑤ 5.RATED IMPULSE VOLTAGE: 4.0KV
 - 6.UNDIMENSIONED TOLERANCES:

TO	PITCH RANGE IN MM		NOMINAL DIMENSION RANGE IN MM				OVER	
	OVER	OVER	TO	OVER	OVER	OVER		
6	6	10	30	60	100	150	OVER	
6	TO	TO	TO	TO	TO	TO	OVER	
	10	24	30	60	100	150	150	
	±0.10	±0.15	±0.25	±0.20	±0.30	±0.50	±0.70	±1.00



PCB LAYOUT(REF)

研发中心专用
 2015.03.30
 (仅限内部使用, 对外无效)

ITEM	NAME OF PART	NO. OF PART	Q"TY	MATERIAL	NOTES
⑤ 2	8EDGRCB-5.0 Pin header	1203B00020(H)	XX	Copper	Sn plated
1	8EDGVC-5.0 Housing	1089A41XXA(H)	1	PA66	UL94V-0

TOLERANCES EXCEPT AS NOTED		FINISH:		MATERIAL:	
.X ±	.X' ±	PART NO.:		NAME:	
.XX ±	.XX' ±	Series 8EDGRC-5.0		8EDGRC-5.0-XXP-11-01A(H)	
.XXX ±	.XXX' ±	APPD: Alan 03/18/15		TITLE: ASSEMBLY DRAWING	
ANGLES ± 1'		CHKD: Jen 3/17/15		DRAWING NO.: 8EDGRC-5.0-E01	
THIRD ANGLE PROJECTION		DRFT: ZYH 06/08/07		DO NOT SCALE DRAWING	

宁波高正电子有限公司
 Ningbo Degson Electrical Co., Ltd.

REV	SHEET
76	1/1