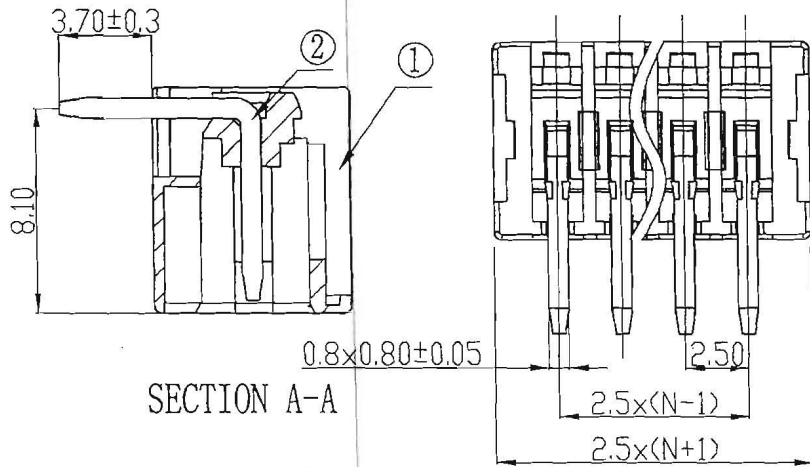


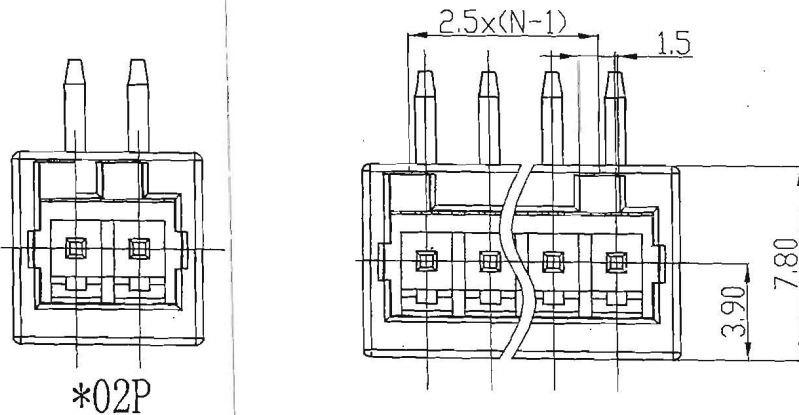
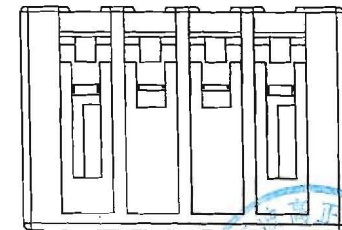
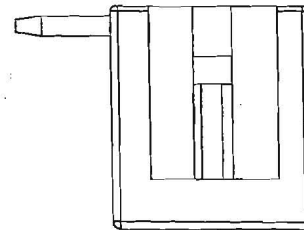
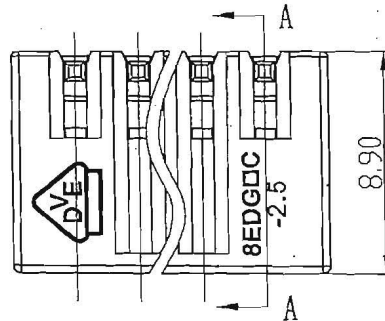
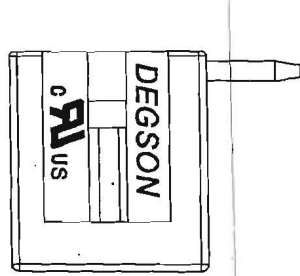
REVISION RECORD					
REV	ECN	DESCRIPTION	DRFT.	DATE	
△	01-0201	增加VDE认证参数	HARRY	07/28/11	



Notes:

1. Pitch: 2.50mm, 2-12P;
2. Rated voltage/current: UL 150V 4A
△ VDE 130V 6A
3. Operation temperatures: -40°C ~ +105°C
4. Withstanding Voltage: AC2000V/1Min
5. Insulation Resistance: 5000MΩ/DC1000V
6. Undimensioned Tolerances:

Pitch range in mm		Nominal dimension range in mm					
to	over	to	over	to	over	to	over
6	10	10	24	30	60	100	150
±0.10	±0.15	±0.25	±0.2	±0.3	±0.5	±0.7	±1



2	8EDGVC-2.5 Header	1128B00020 (H)	XX	Brass	SnCe
1	8EDGV/RC-2.5 Housing	1128A41.XXA (H)	1	PA66	UL94V-0
ITEM	NAME OF PART	NO. OF PART	Q'TY	MATERIAL	NOTES
TOLERANCES EXCEPT AS NOTED		MM (INCH)	DFTO LIN	CHK'D	DATE 12/20/08
MM	±	DATE	MFD	DATE	
.00 ±	±	DATE	APPV'L	DATE	
.000 ±	±				
ANGLES ± 1°		G.E : Series 8EDG		NAME	
THIRD ANGLE PROJECTION		FINISH:		8EDGRC-2.5-XXP-11-01A (H)	
SCALE : 1:1		DO NOT SCALE DRAWING		DRAWING NO. 8EDGRC-2.5-E01	
		SHEET 1		SIZE A4	
		OF 1		REV 11	
				07/28/11	