

2P

3P

2

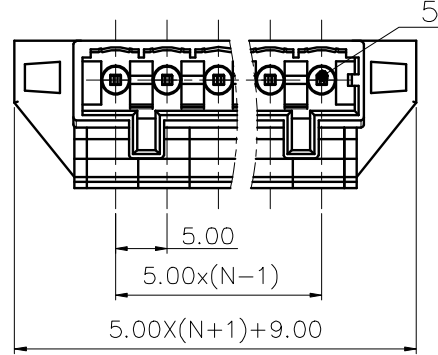
3

4

5

6

| 未注公差/General tolerances(mm) | | | | | | | | | | | | 0.1/10 | |
|-----------------------------|-------|-------|-------|-------|-------|-------|-------|-------|-------|-------|-------|--------|-------|
| 0 | >3 | >6 | >10 | >18 | >30 | >50 | >80 | >120 | >180 | >250 | >315 | | >400 |
| ~3 | ~6 | ~10 | ~18 | ~30 | ~50 | ~80 | ~120 | ~180 | ~250 | ~315 | ~400 | ~500 | ~500 |
| ±0.12 | ±0.18 | ±0.22 | ±0.26 | ±0.31 | ±0.37 | ±0.57 | ±0.80 | ±0.93 | ±1.05 | ±1.15 | ±1.60 | ±2.20 | ±2.50 |

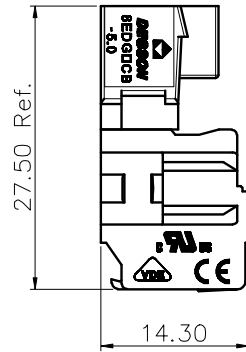


A

A

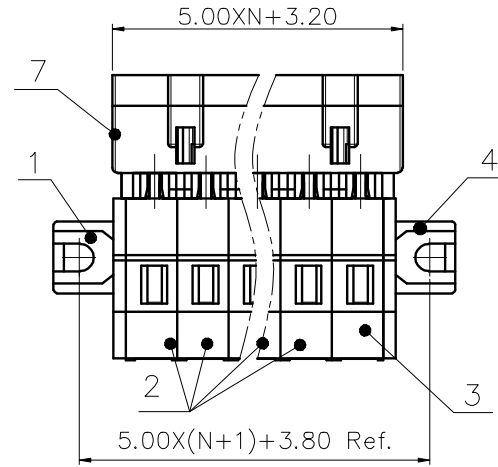
B

B



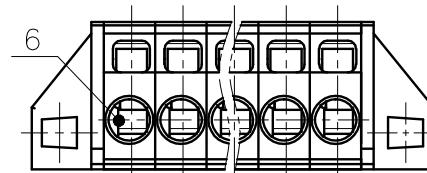
C

C



D

D



| | | | |
|---|--------------|-----------------|-----------|
| 7 | Housing 1 | PA66 | UL94V-0 |
| 6 | Spring | Stainless Steel | |
| 5 | Pin | Copper | Sn plated |
| 4 | Cover 2 | PA66 | UL94V-0 |
| 3 | Side housing | PA66 | UL94V-0 |
| 2 | Housing | PA66 | UL94V-0 |
| 1 | Cover 1 | PA66 | UL94V-0 |

| ITEM | NAME OF PART | MATERIAL | NOTES |
|--|--------------|---------------|------------|
| UL 标准/UL Standard: | | | |
| 额定电压/电压/Rated Voltage(V)/Current(A) | | B | C D |
| 300/15 | | / | 300/10 |
| IEC 标准/IEC Standard: | | | |
| 过压类别/Overvoltage Category/污染等级/Pollution Degree | | III/3 | III/2 II/2 |
| 额定电压/电压/Rated Voltage(V)/Current(A) | | / | 320/20 / |
| 额定脉冲电压(KV)/Rate Impulse Voltage(KV) | | / | 4 / |
| 线径范围(硬线和软线)/Wire Range(rigid and flexible)(mm ² /AWG) | | 0.2~2.5/22~14 | |
| 间距/Pitch(mm)/线数范围/Poles | | 5.0/N=02~24P | |
| 剥线长度/Stripping length(mm) | | 9-10 | |
| 使用温度范围/Operating temperature(°C) | | -40~+105 | |
| 符合RoHS环保要求/Conform to RoHS | | Yes | |
| 标准颜色编号/Standard color number: | | PANTONE 7534u | |

| | | | |
|-----------------------|---|------------------------|----------------------|
| MATERIAL: / | SURFACE: / | | |
| MAT NO.: / | 宁波高松电子有限公司 NINGBO DEGSON ELECTRICAL CO., LTD | | |
| STATUS: / | | | |
| APPD: | NAME: 8EDGKRMB-5.0-XXP-11-01A(H) | | |
| CHKD: | | | |
| DRFT: CenX 2020.06.10 | DRAWING NO.: 8EDGKRMB-5.0-C02 | | REV TO |
| ④ | SIZE: A4 | TYPE: CUSTOMER DRAWING | SCALE: 2:1 SHEET 1/1 |

| REV | ECN | DESCRIPTION | DRFT | DATE |
|-----|-----|-------------|------|------|
| | | | | |
| | | | | |

1

2

3

4

5

6