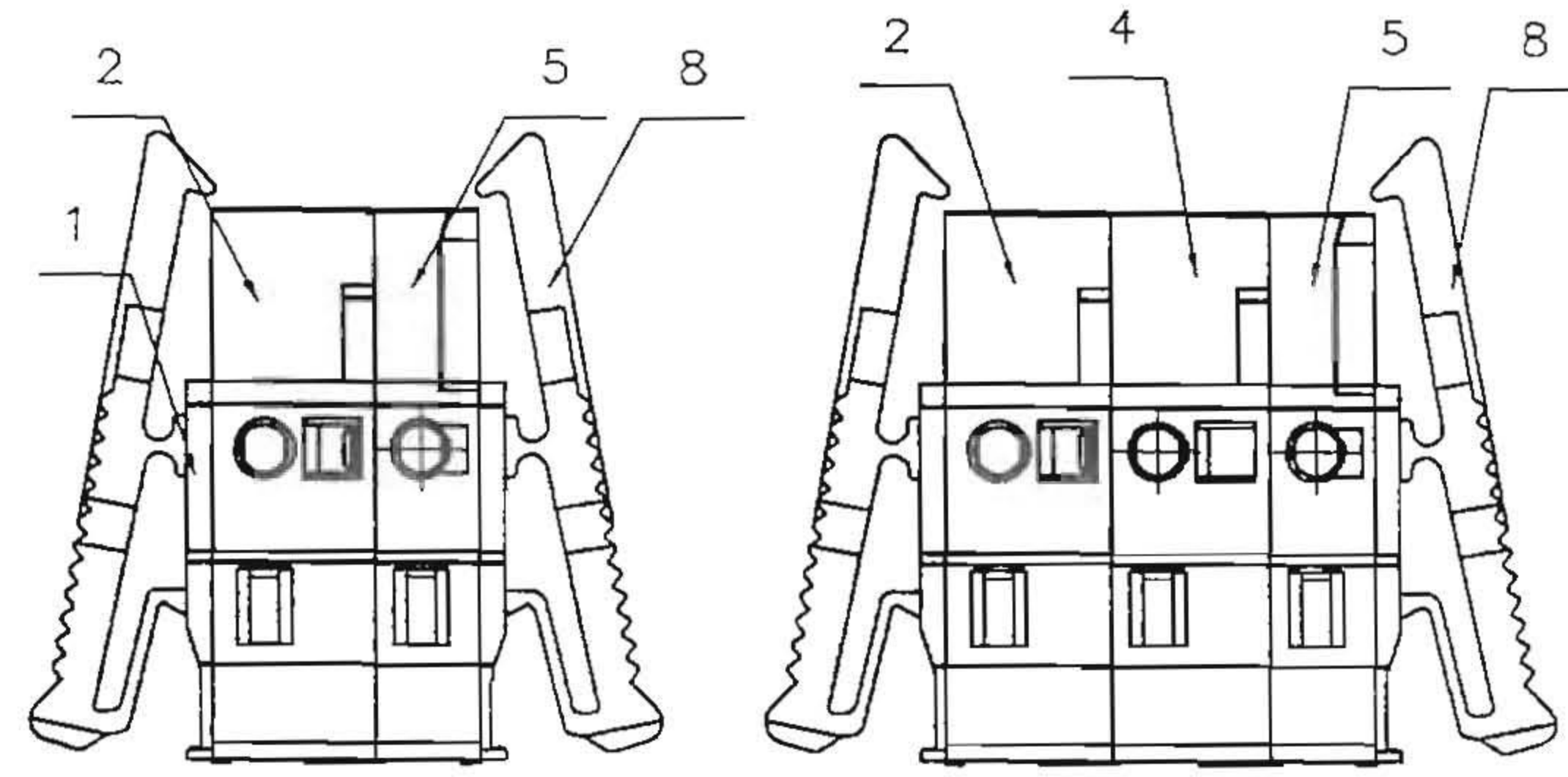
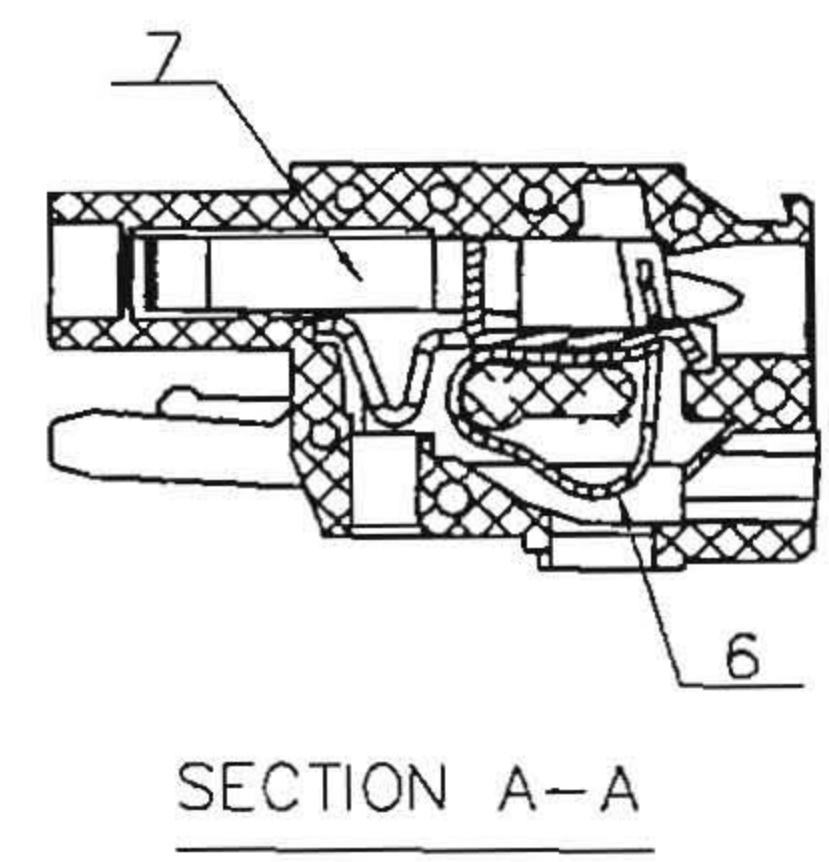
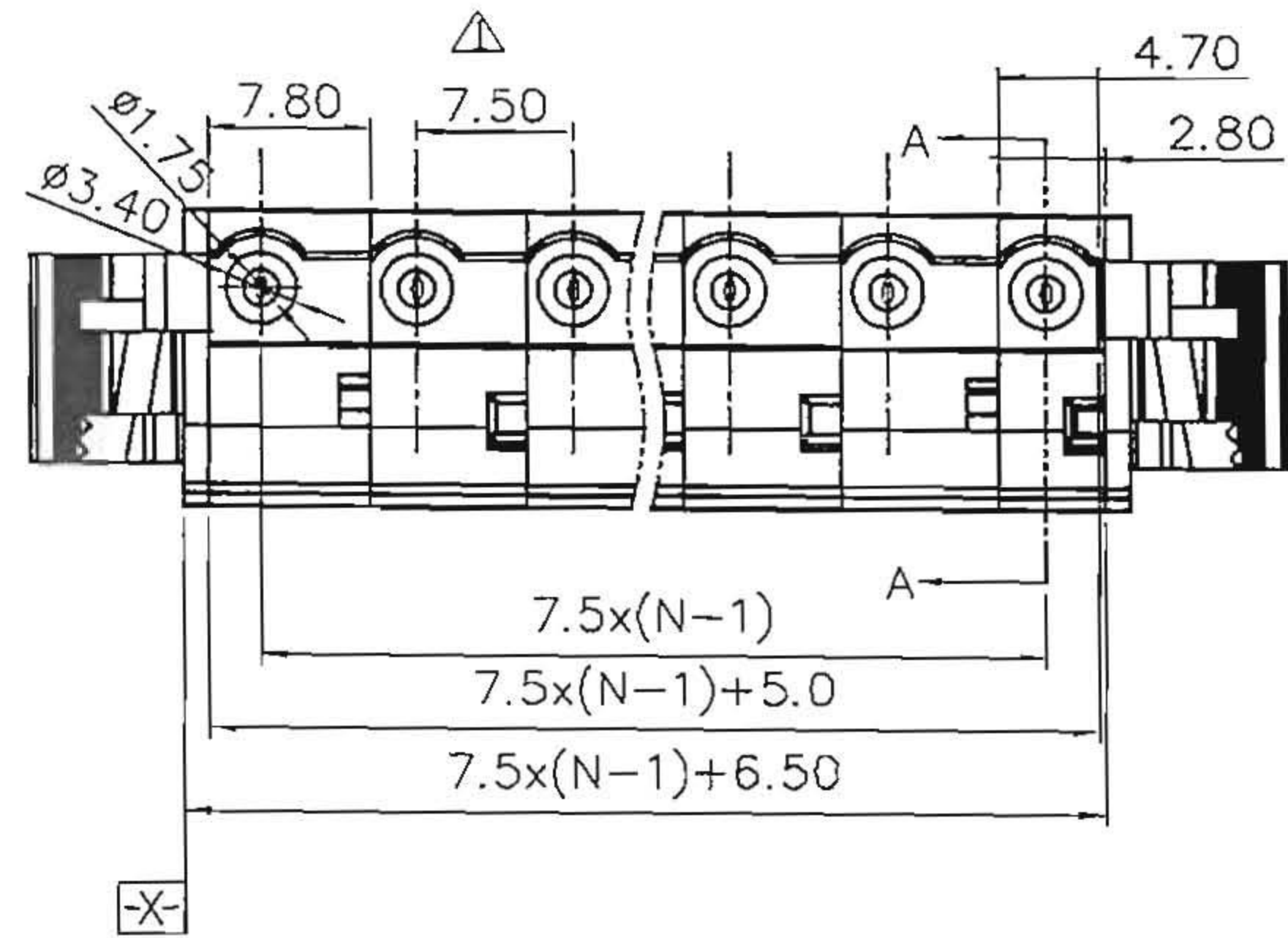


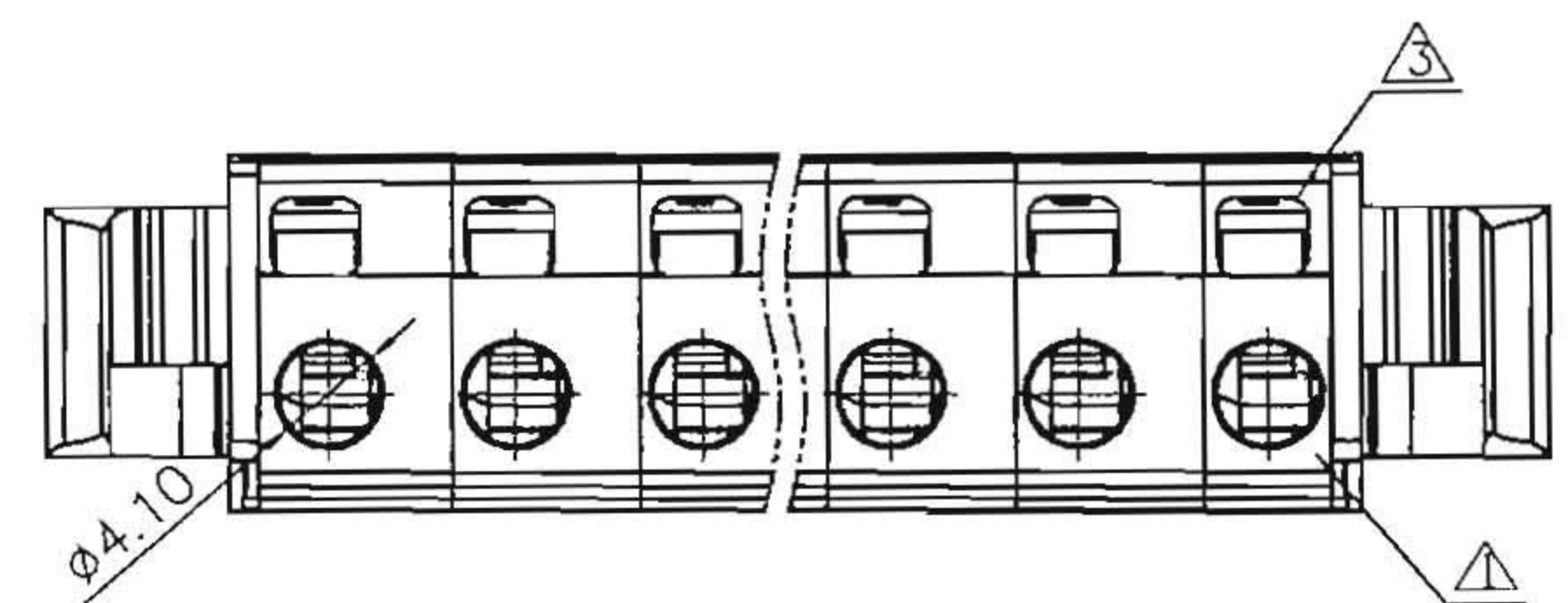
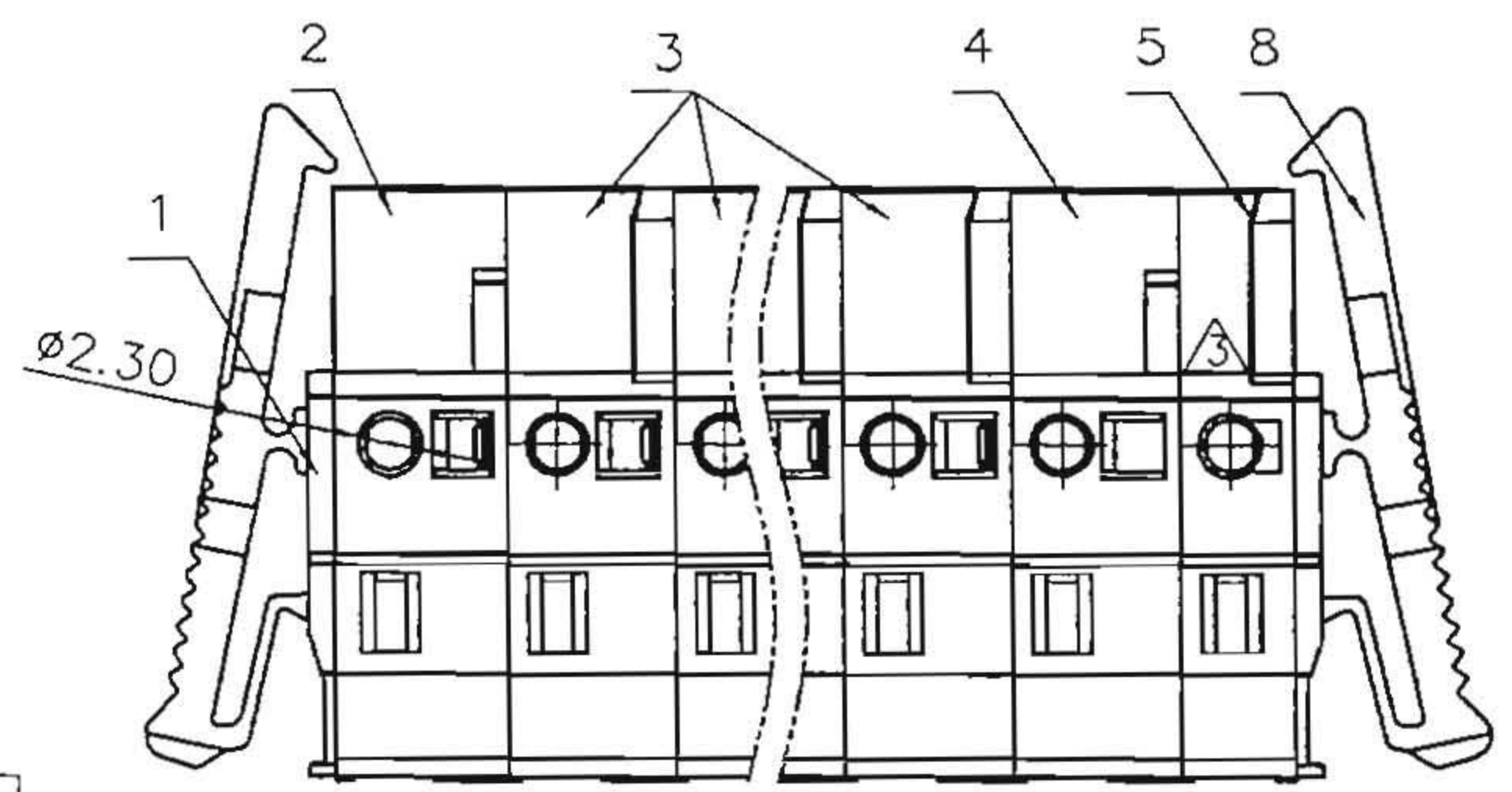
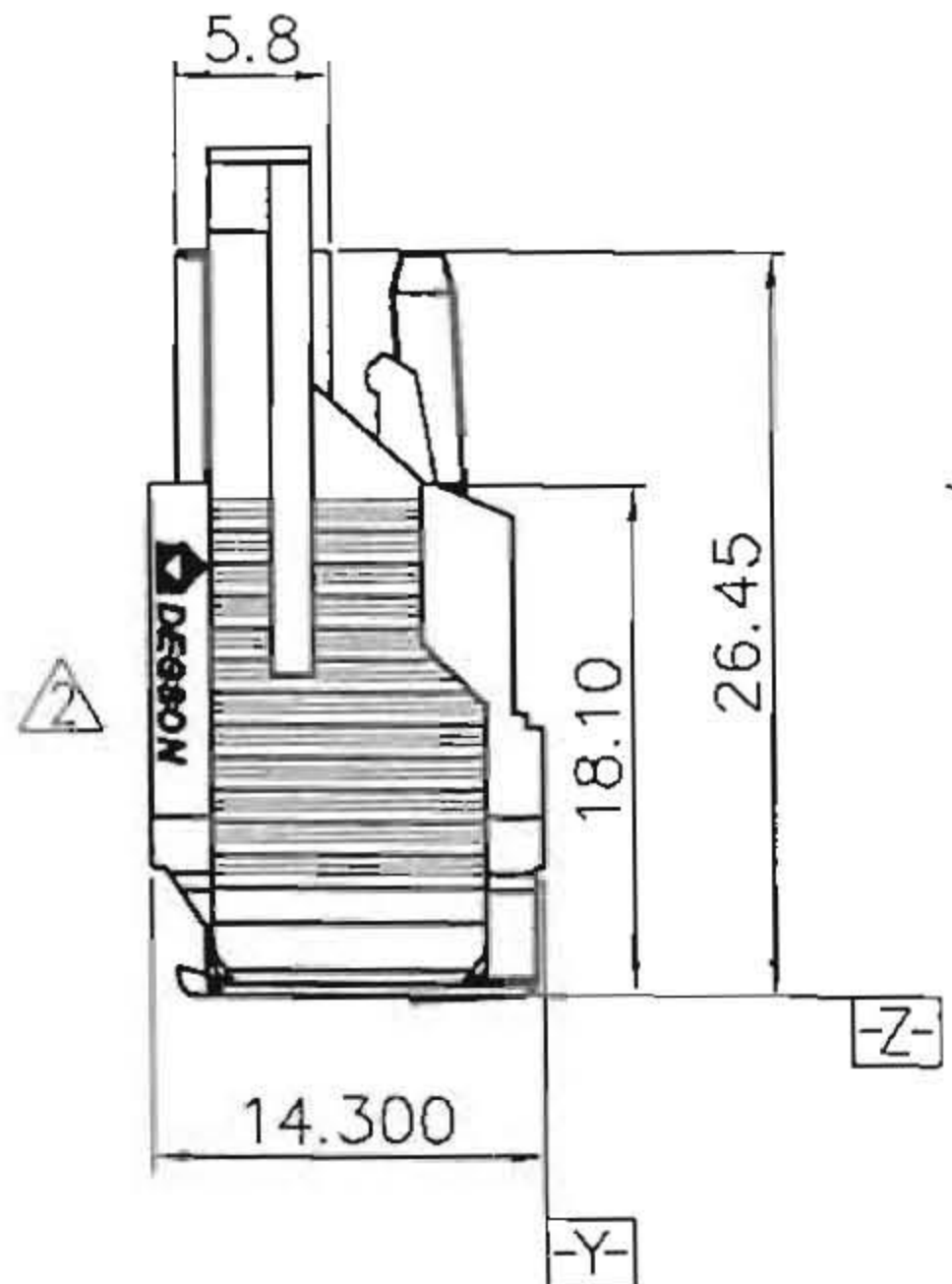
REVISION RECORD				
REV	ECN	DESCRIPTION	DRFT	DATE
△	12-0247	修订图面	JEX	11/24'12
△	14-0176	新增刻字	JEX	06/30'14
△	14-0371	修订图面	GYZ	09/10'14



- NOTES:
1. DIMENSION SHALL BE INTERPRETED PER ASME Y14.5-2009.
  2. PITCH: 7.50MM 02-12P
  3. RATED VOLTAGE/CURRENT: UL1059 300V 15A  
VDE 400V 20A
  4. OPERATION TEMPERATURES: -40°C ~ +105°C
  5. RATED IMPULSE VOLTAGE: 4.0KV
  6. INSULATION RESISTANCE: 5000MΩ/DC1000V
  7. WIRE RANGE: 22~14AWG, 2.5MM<sup>2</sup>
  8. UNDIMENSIONED TOLERANCES:

PITCH RANGE IN MM		NOMINAL DIMENSION RANGE IN MM						
TO	OVER	OVER		OVER	OVER	OVER		
6	6	10	TO	30	60	100	OVER	∩
	10	24	30	60	100	150	150	◇
	±0.10	±0.15	±0.25	±0.20	±0.30	±0.50	±0.70	±1.00
								0.05/10

文管中心  
研发专用  
翻11.10  
(仅限内部使用, 对外无效)



ITEM	NAME OF PART	NO. OF PART	Q"TY	MATERIAL	NOTES
8	8EDGK-5.0 COVER(挂钩2)	1086C4101E(H)	1	PA66	UL94V-0
7	8EDGK-CLAMP	1086B00010(H)	XX	Phosphor Bronze	Tin plated
6	DG242-SPRING	X000000990(H)	XX	Stainless Steel	
5	8EDGK-7.5 HOUSING-4(边件2)	1125A4101C(H)	1	PA66	UL94V-0
4	8EDGK-7.5 HOUSING-2(中间件2)	1125A4101B(H)	1, (XX=3) 0, (XX=2)	PA66	UL94V-0
3	8EDGK-7.5 HOUSING-2(中间件1)	1125A4101A(H)	XX-3, (XX=4) 0, (XX=3)	PA66	UL94V-0

2	8EDGK-7.5 HOUSING-1(边件1)	1125A4101D(H)	1	PA66	UL94V-0
1	8EDGK-5.0 COVER(挂钩1)	1086C4101D(H)	1	PA66	UL94V-0

DETAILED LISTS

MM (INCH)

TOLERANCES EXCEPT AS NOTED

FINISH: **DEGSON** 宁波高正电子有限公司  
Ningbo Degson Electrical Co., Ltd.

PART NO.: **Series 8EDGKG-7.5**

NAME: **8EDGKG-7.5-XXP-11-01A(H)**

ANGLES ± 1°

APPD: *Jean 10/23/14*

TITLE: ASSEMBLY DRAWING

CHKD: *Auron 10/23-14*

DRAWING NO.: 8EDGKG-7.5-E02

DRFT: GYZ 09/10/14

DO NOT SCALE DRAWING

SCALE N/A

REV T3

SHEET 1/1