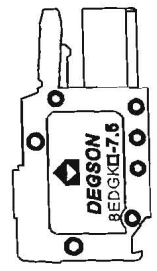
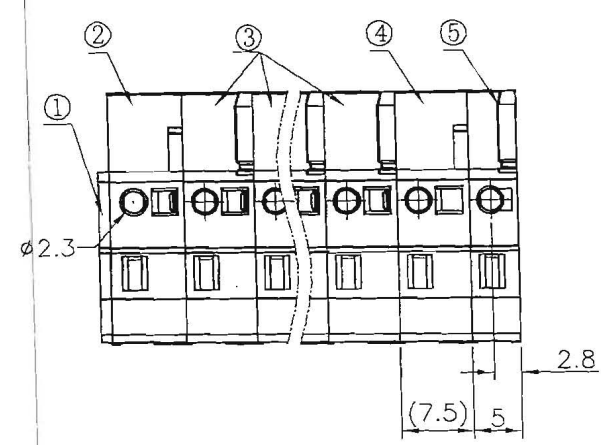
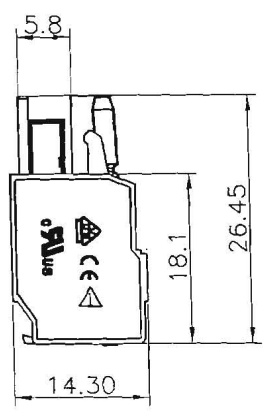
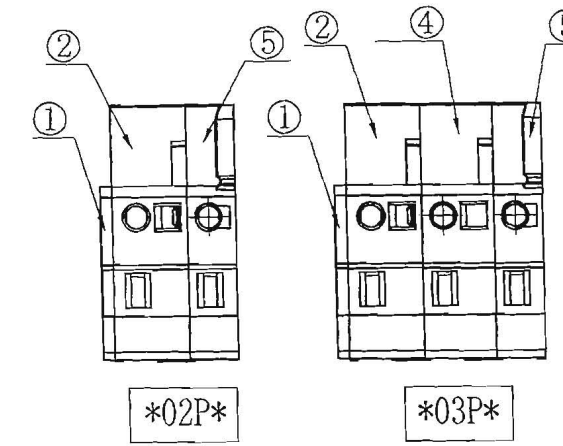
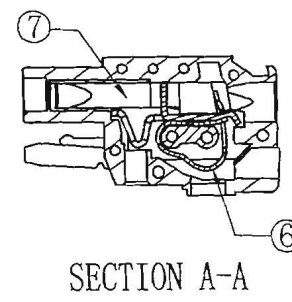
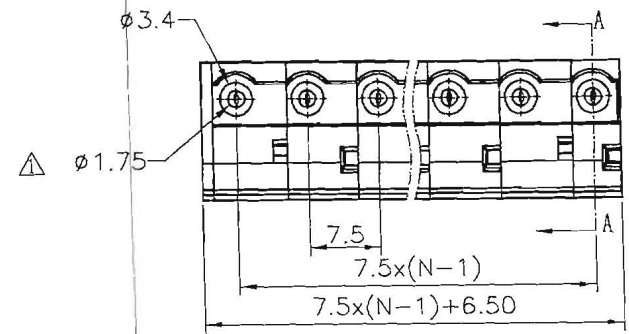


REVISION RECORD				
REV	ECN	DESCRIPTION	DRFT	DATE
△	12-0247	盖板改模刻字修订图面	JEX	10/09/12



- Notes:
- Pitch: 7.50mm
 - Rated voltage/current: UL 300V15A
VDE 400V 20A
 - Operation temperatures: -40°C ~ +105°C
 - Withstanding Voltage: AC2500V/1min
 - Insulation Resistance: 5000MΩ/DC1000V
 - Wire Range: 22~14AWG, 2.5mm²
 - Undimensioned Tolerances:

Pitch range in mm		Nominal dimension range in mm						
to	over	to	over	to	over			
6	10	10	30	30	60	100	150	±
6	10	24	30	60	100	150	±	0.05/0.1
±0.10	±0.15	±0.25	±0.2	±0.3	±0.5	±0.7	±1	0.05/0.1



ITEM	NAME OF PART	NO. OF PART	Q'TY	MATERIAL	NOTES
7	8EDGK-CLAMP	1086B00010 (H)	XX	COPPER	Tin plated
6	DG242-SPRING	X000000990 (H)	XX	Stainless Steel	
5	8EDGK-7.5 HOUSING-4(边件2)	1125A0Y01C (H)	1	PA66	UL94V-0
4	8EDGK-7.5 HOUSING-2(中间件2)	1125A0Y01B (H)	1, (XX≥3) 0, (XX≤2)	PA66	UL94V-0
3	8EDGK-7.5 HOUSING-2(中间件1)	1125A0Y01A (H)	AX-3, (XX≥4) 0, (XX≤3)	PA66	UL94V-0

2	8EDGK-7.5 HOUSING-1(边件1)	1125A0Y01D (H)	1	PA66	UL94V-0
1	8EDGK-5.0 COVER 盖板	1086C0Y01A (H)	1	PA66	UL94V-0

MM (INCH)	DFTO Lasting	DATE 01/03/11
TOLERANCES EXCEPT AS NOTED	CHKD	DATE
	MFO	DATE
	APPL. <i>Alona</i>	DATE 11/24/12

DEGSON 宁波高正电子有限公司
DEGSON ELECTRONICS CO., LTD

NAME: 8EDGK-7.5-XXP-1Y-00A(H)

DRAWING NO. 8EDGK-7.5-E01 SIZE A4 REV T1 10/10/12
/PART NO.

ANGLES ± 1'

THIRD ANGLE PROJECTION

G.E. :
FINISH :
SCALE :
DO NOT SCALE DRAWING SHEET 1 OF 1