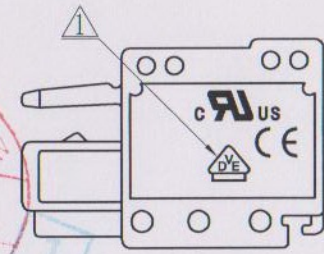
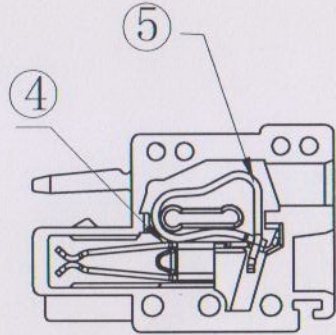
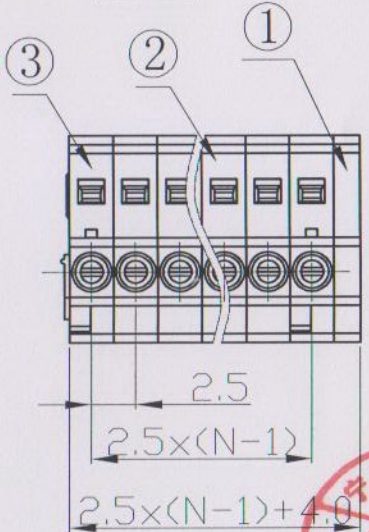
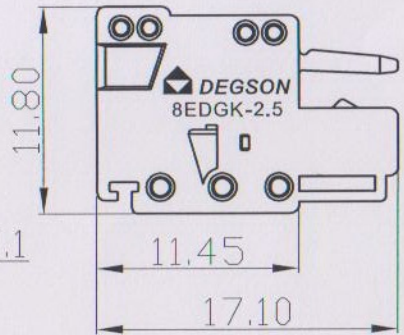
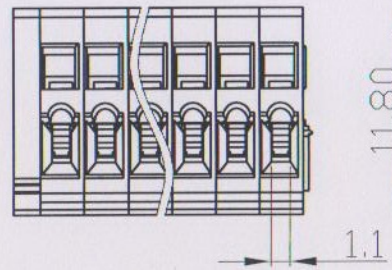
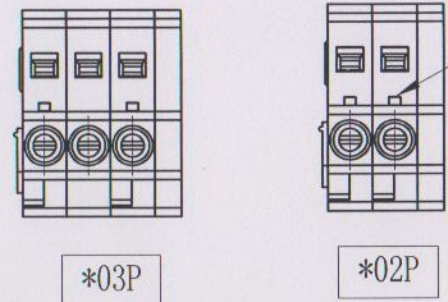
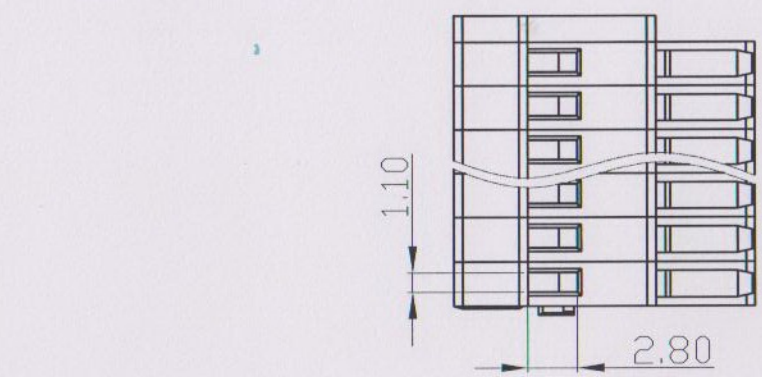


REVISION RECORD				
REV	ECD	DESCRIPTION	DRFT	DATE
10-0303	增加“VDE”安全认证标志及参数变更	Jinbai.Luo		09/16/10
10-0320	用8EDGK-2.5弹片替代DC240弹片 (仅限于8EDGK-2.5产品) 30P及30P中间件	HXG		09/27/10
10-0332	变更弹片一个边件一个中间件	HXG		09/30/10

△02P产品塑件用两个边件
(变更前为一个边件一个中间件)



“C”视图

- Notes:
1. Pitch: 2.50mm
 2. Rated voltage/current: UL 150V 4A
VDE 250V 4A
 3. Operation temperatures: -40°C~+105°C
 4. Withstanding Voltage: AC2000V/1Min
 5. Insulation Resistance: 5000MΩ/DC1000V
 6. Wire Range: 28~20AWG, 0.5mm²
 7. Undimensioned Tolerances:

Pitch range in mm		Nominal dimension range in mm					
to	over	over	over	over	over		
6	6 to 10	10 to 24	30 to 60	60 to 100	100 to 150	∩	
±0.10	±0.15	±0.25	±0.2	±0.3	±0.5	±1	
						0.05/0.2	

5	8EDGK-2.5-Spring	X000004950 (H)	XX	Stainless Steel	
4	8EDGK-2.5 Clamp	1127B00010 (H)	XX	Phosphor Bronze	SnCe
3	8EDGK-2.5 Housing2	1127A4101C (H)	2, (XX)-3 1, (XX)-3	PA66	UL94V-0



2	8EDGK-2.5 Housing1	1127A4101A (H)	XX-2, (XX)-3 1, (XX)-3	PA66	UL94V-0																																												
1	8EDGK-2.5 Cover	1127C4101A (H)	1	PA66	UL94V-0																																												
ITEM	NAME OF PART	NO. OF PART	Q'TY	MATERIAL	NOTES																																												
<table border="1"> <tr> <td>MM (INCH)</td> <td>DFTD LIN</td> <td>DATE</td> <td>12/22/09</td> </tr> <tr> <td>TOLERANCES EXCEPT AS NOTED</td> <td>CHKD</td> <td>DATE</td> <td></td> </tr> <tr> <td>MFD</td> <td>DATE</td> <td></td> <td></td> </tr> <tr> <td>MM</td> <td>APPVL</td> <td>DATE</td> <td>09/30/10</td> </tr> <tr> <td>.0 ±</td> <td></td> <td></td> <td></td> </tr> <tr> <td>.00 ±</td> <td></td> <td></td> <td></td> </tr> <tr> <td>.000 ±</td> <td></td> <td></td> <td></td> </tr> <tr> <td>ANGLES ± 1°</td> <td colspan="3">G.E : Series 8EDGK-2.5</td> </tr> <tr> <td>THIRD ANGLE PROJECTION</td> <td>FINISH:</td> <td colspan="2">DRAWING NO. 8EDGK-2.5-E01</td> </tr> <tr> <td></td> <td>SCALE :</td> <td colspan="2">/PART NO.</td> </tr> <tr> <td></td> <td></td> <td colspan="2">DO NOT SCALE DRAWING</td> </tr> </table>						MM (INCH)	DFTD LIN	DATE	12/22/09	TOLERANCES EXCEPT AS NOTED	CHKD	DATE		MFD	DATE			MM	APPVL	DATE	09/30/10	.0 ±				.00 ±				.000 ±				ANGLES ± 1°	G.E : Series 8EDGK-2.5			THIRD ANGLE PROJECTION	FINISH:	DRAWING NO. 8EDGK-2.5-E01			SCALE :	/PART NO.				DO NOT SCALE DRAWING	
MM (INCH)	DFTD LIN	DATE	12/22/09																																														
TOLERANCES EXCEPT AS NOTED	CHKD	DATE																																															
MFD	DATE																																																
MM	APPVL	DATE	09/30/10																																														
.0 ±																																																	
.00 ±																																																	
.000 ±																																																	
ANGLES ± 1°	G.E : Series 8EDGK-2.5																																																
THIRD ANGLE PROJECTION	FINISH:	DRAWING NO. 8EDGK-2.5-E01																																															
	SCALE :	/PART NO.																																															
		DO NOT SCALE DRAWING																																															
<p>DETAILED LISTS</p> <p>NAME: 8EDGK-2.5-XXP-11-01A(H)</p> <p>DRAWING NO. 8EDGK-2.5-E01</p> <p>SIZE: A3</p> <p>REV: 13</p> <p>09/30/10</p> <p>DO NOT SCALE DRAWING</p> <p>SHEET 1 OF 1</p>																																																	