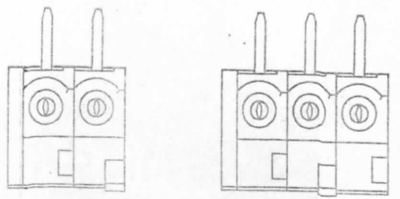
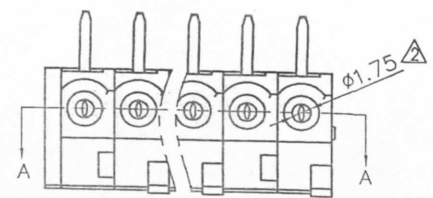


REVISION RECORD

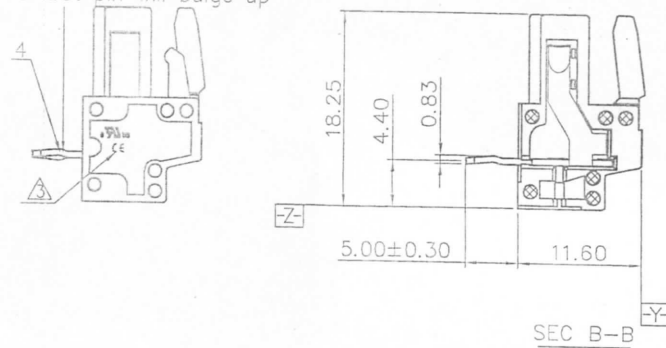
REV	ECN	DESCRIPTION	DRFT	DATE
△	12-0209	Erasure the mark on cover	CHEN	09/25/12
△	12-0234	The design is changed	JEX	11/01/12
△	14-0430	增加UL、CE刻字	GYZ	10/16/14



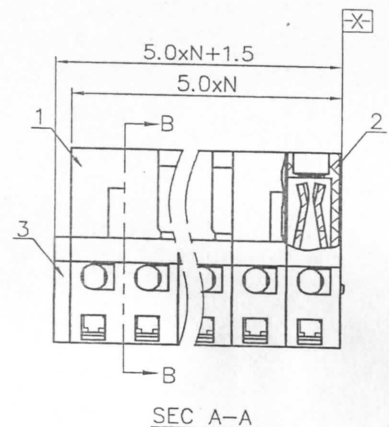
02P 03P



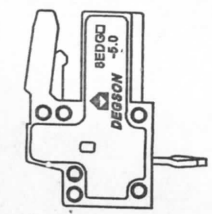
第一个脚向上凸  
The first pin will bulge up



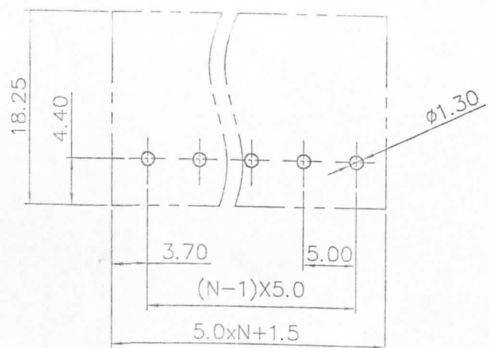
SEC B-B



SEC A-A



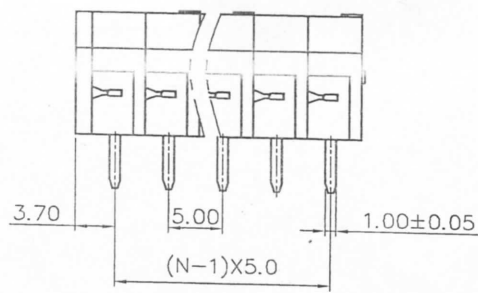
- NOTES:
- 1.DIMENSION SHALL BE INTERPRETED PER ASME Y14.5-2009.
  - 2.PITCH: 5.0MM ,POLES: 2-24P
  - 3.RATED VOLTAGE/CURRENT:UL 300V/15A  
IEC 320V/20A
  - 4.OPERATION TEMPERATURES:-40℃~+105℃
  - 5.RATED IMPULSE VOLTAGE: 4.0KV
  - 6.INSULATION RESISTANCE:5000MΩ/DC1000V
  - 7.UNDIMENSIONED TOLERANCES:



焊脚组装好后打弯

Bending the pin-header after assembling

P.C.B LAYOUT



PITCH RANGE IN MM		NOMINAL DIMENSION RANGE IN MM				
TO 6	OVER 10	TO 30	OVER 60	TO 100	OVER 150	TO 150
±0.10	±0.15	±0.25	±0.20	±0.30	±0.50	±0.70
						±1.00
						0.05/10

2	BEDGA-5.0 Housing-2	1344A4101C(H)	(X=2) XX-2(X≥3)	PA66	UL94V-0
1	BEDGA-5.0 Housing-1	1344A4101A(H)	(X=2) 2(X≥3)	PA66	UL94V-0

ITEM	NAME OF PART	NO. OF PART	Q"TY	MATERIAL	NOTES																																				
<table border="1"> <tr> <td colspan="2">TOLERANCES EXCEPT AS NOTED</td> <td colspan="2">FINISH:</td> <td colspan="2">MATERIAL:</td> </tr> <tr> <td>.X ±</td> <td>.X' ±</td> <td colspan="2">PART NO.:</td> <td colspan="2">NAME:</td> </tr> <tr> <td>.XX ±</td> <td>.XX' ±</td> <td colspan="2">APPD: <i>Aaren 11/14/14</i></td> <td colspan="2">TITLE: ASSEMBLY DRAWING</td> </tr> <tr> <td>.XXX ±</td> <td>.XXX' ±</td> <td colspan="2">CHKD: <i>Jes 11/14/14</i></td> <td colspan="2">DRAWING NO.: 8EDGA-5.0-E02</td> </tr> <tr> <td colspan="2">ANGLES ± 1°</td> <td colspan="2">DRFT: YHG 11/10/14</td> <td colspan="2">DO NOT SCALE DRAWING</td> </tr> <tr> <td colspan="2">THIRD ANGLE PROJECTION</td> <td colspan="2">SCALE 1/1</td> <td colspan="2">SHEET 1/1</td> </tr> </table>						TOLERANCES EXCEPT AS NOTED		FINISH:		MATERIAL:		.X ±	.X' ±	PART NO.:		NAME:		.XX ±	.XX' ±	APPD: <i>Aaren 11/14/14</i>		TITLE: ASSEMBLY DRAWING		.XXX ±	.XXX' ±	CHKD: <i>Jes 11/14/14</i>		DRAWING NO.: 8EDGA-5.0-E02		ANGLES ± 1°		DRFT: YHG 11/10/14		DO NOT SCALE DRAWING		THIRD ANGLE PROJECTION		SCALE 1/1		SHEET 1/1	
TOLERANCES EXCEPT AS NOTED		FINISH:		MATERIAL:																																					
.X ±	.X' ±	PART NO.:		NAME:																																					
.XX ±	.XX' ±	APPD: <i>Aaren 11/14/14</i>		TITLE: ASSEMBLY DRAWING																																					
.XXX ±	.XXX' ±	CHKD: <i>Jes 11/14/14</i>		DRAWING NO.: 8EDGA-5.0-E02																																					
ANGLES ± 1°		DRFT: YHG 11/10/14		DO NOT SCALE DRAWING																																					
THIRD ANGLE PROJECTION		SCALE 1/1		SHEET 1/1																																					

4	BEDGA-5.0 Clamp	1344B00050(H)	XX	Copper	Tin plated
3	BEDGA-5.0 Cover	1344C4101A(H)	1	PA66	UL94V-0

DEGSON® 宁波高正电子有限公司  
DEGSON ELECTRONICS CO., LTD

8EDGA-5.0-XXP-11-01A(H)

REV T3

SHEET 1/1