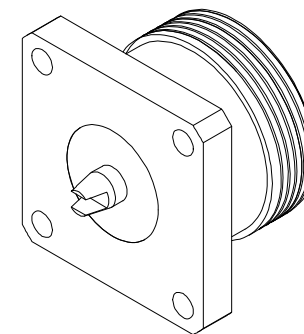


NO	DESCRIPTION	MATERIAL	Q'TY	FINISH	REMARK
1	PIN 1	BE CU	1	SILVER	P-7160421-S
2	BODY 1	BRASS	1	NICKEL	B-7160445-N
3	INSULATION 1	TEFLON	1	TEFLON	I-0210T
4	BODY 2	BRASS	1	NICKEL	B-7160343-N
5	INSULATION 2	TEFLON	1	TEFLON	I-0211T
6	PIN 2	BE CU	1	SILVER	P-7160295-S
7	GASKET	SI RUBBER	1	RUBBER	RU-0040



D

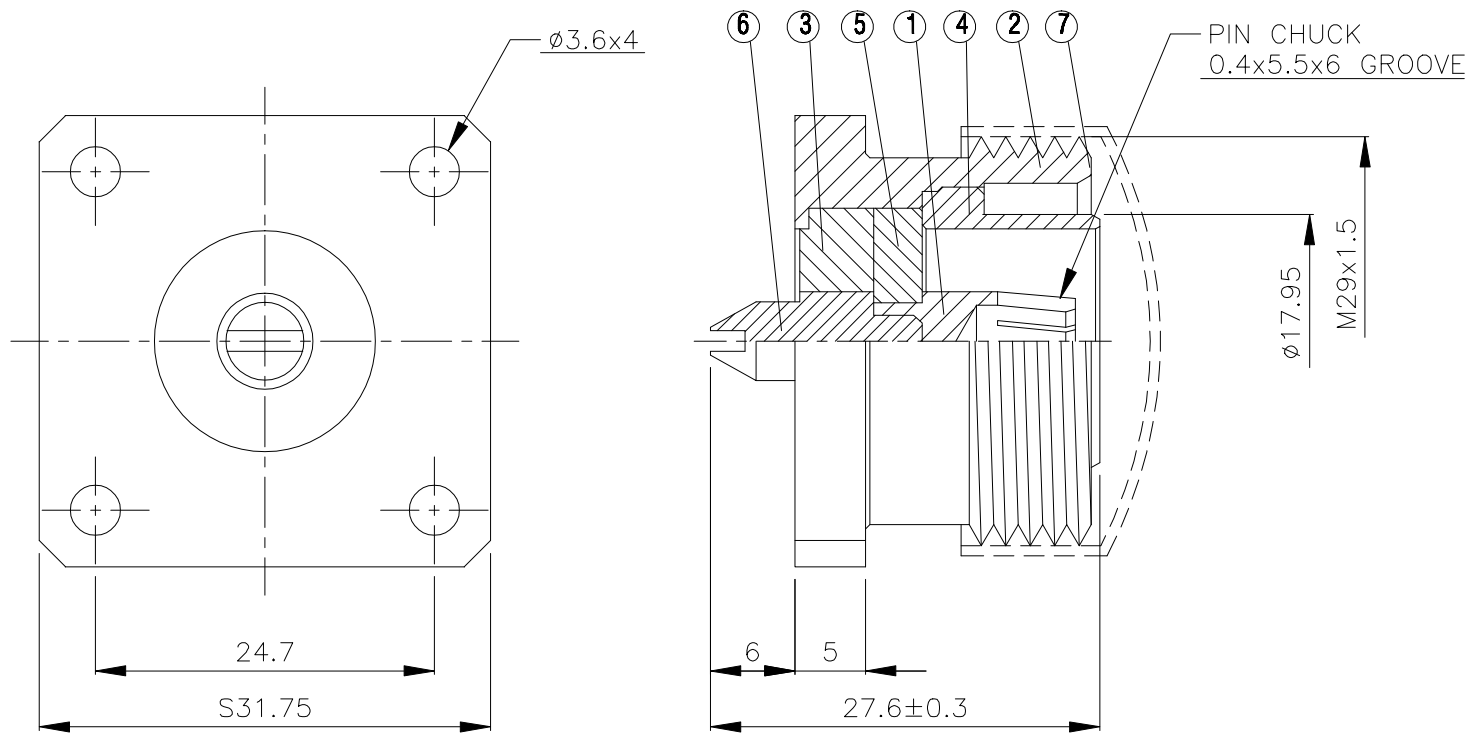
D

C

C

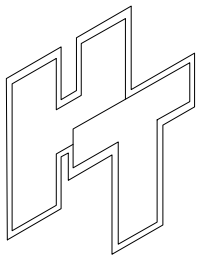
B

B



A

A



HUS-TSAN GROUP CO., LTD.
P.O.BOX 40-76.TAINAN.TAIWAN,R.O.C.
**TITLE 7/16 STRAIGHT JACK 4 HOLES
FLANGE MOUNT FOR RECEPTACLE**
PART NO. **716-07-TSN**
DRAWING NO. **716 07 TSN**

DRAWN	MARY	DATE	91.12.02
CHECKED	蘇姿潔	DATE	
Q.A.	馮健華	DATE	
APPROVAL	徐燦霖	DATE	
REVISION		DATE	

DIMENSIONS ARE IN MILLIMETERS			
UNLESS OTHERWISE SPECIFIED TOLERANCE			
0.5-5=±0.2	120-315=±1		
5-30=±0.4	315-1000=±1.6		
30-120=±0.6	1000-2000=±2.4		
SCALE	4:1	SIZE	A

REVISION	
DESCRIPTION	ENGINEER

4

3

2

1