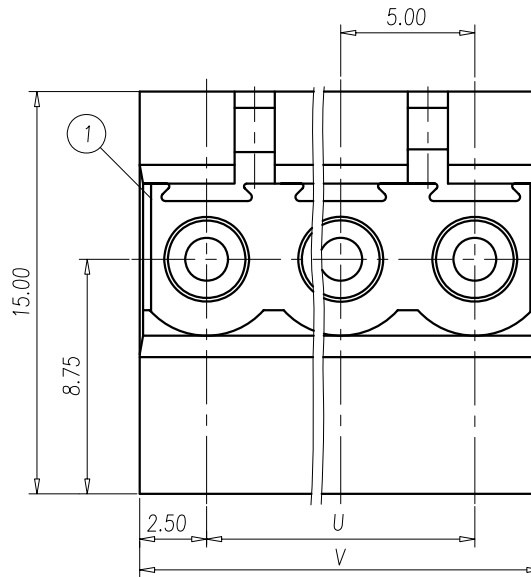
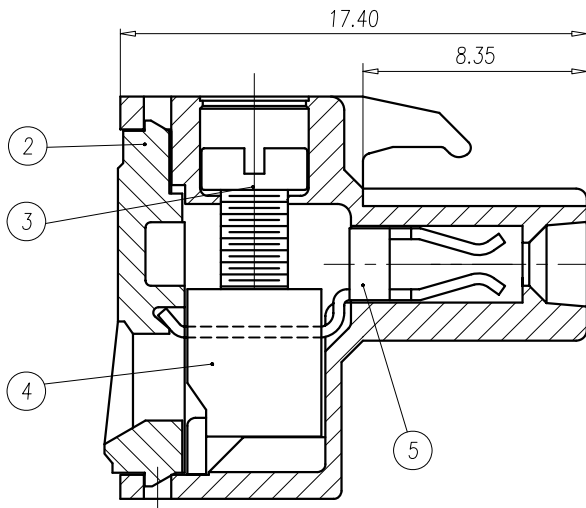


P	2	3	4	5	6	7	8	9	10	11	12	13
U	5.0	10.0	15.0	20.0	25.0	30.0	35.0	40.0	45.0	50.0	55.0	60.0
V	10.0	15.0	20.0	25.0	30.0	35.0	40.0	45.0	50.0	55.0	60.0	65.0
P	14	15	16	17	18	19	20	21	22	23	24	
U	65.0	70.0	75.0	80.0	85.0	90.0	95.0	100.0	105.0	110.0	115.0	
V	70.0	75.0	80.0	85.0	90.0	95.0	100.0	105.0	110.0	115.0	120.0	

注:
 2P~6P A±0.10
 7P~15P A±0.17
 16P~24P A±0.25



NOTES:

- Rating: UL: 300V 15A
IEC: 600V 18A
PITCH: 5.00mm
- Insulation Withstands Voltage: AC 1500 V at 1 minute
- Insulation Resistance: 500MΩ or more at DC500V
- Using Temperature Range: -40°C~+105°C
- Screw Torque Value: 0.5N·m
- Suitable Electric Wire:
UL: AWG 30~12 IEC: 0.2~4mm² (sol)
0.2~2.5mm² (str)
- RoHS Compliance

Normal Geometric Tolerancing				
—	//	≡	⊥	
0 to 100	0.2	0.3	0 to 10	0.2
over 100 to 150	0.3		over 10	0.3
over 150	0.5			
Total Pitch Tolerances		Normal dimension Tolerances		
0<U<=30	±0.20	0~30	±0.25	
30<U<=53	±0.25	over 30~53	±0.30	
53<U<=70	±0.30	over 53~70	±0.35	
70<U<=90	±0.35	over 70~90	±0.44	
90<U<=115	±0.44	over 90~115	±0.55	
115<U<=150	±0.55	over 115~150	±0.70	
150<U<=200	±0.70	over 150~200	±0.85	
200<U<=250	±0.85	over 200~250	±1.00	
250<U<=320	±1.00	over 250~320	±1.20	

5	CLAMP	COPPER-ALLOY	Tin Plated
4	WIRE CAGE	STEEL	M2.5/Zn Plated
3	SCREW	STEEL	M2.5/Zn Plated
2	SIDE COVER	PA66	UL94-V0 GREEN
1	HOUSING	PA66	UL94-V0 GREEN
ITEM	NAME OF PART	MATERIAL	NOTES

DWG.	L.SF	DATE	14.04.22	UNITS	MM	SHEET/OF	1/1
CHK.		DATE		SCALE	5:1 (:)		
APP.		DATE		NAME		5ESDT-XXP	
				DINKLE ENTERPRISE CO.,LTD		DWG NO. SP-03-5ESDT000	

△			
REV.	CONTENT	CHK.	DATE