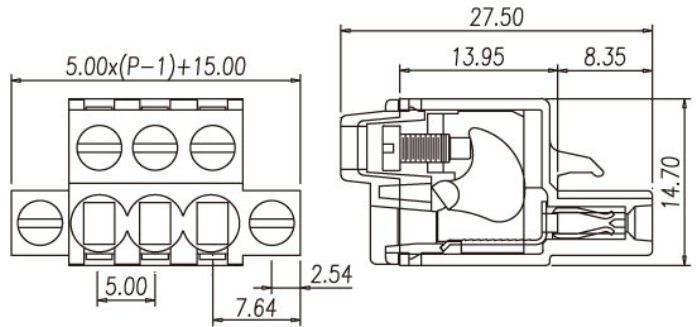


Plugs for pluggable terminal blocks / EC & ESD series



**5ESDFM**



**Pitch: 5.00mm**

Approval		
Technical Data	UL	IEC
Rated voltage	300V	600V
Rated current	15A	18A
Conductor cross-section, solid (AWG/ mm <sup>2</sup> )	30~12 / 0.2~2.5	
Conductor cross-section, flexible (AWG/ mm <sup>2</sup> )	30~12 / 0.2~2.5	
Rated surge voltage (UL/IEC/Max.)	1.6 / 4 / 4 KV	
Torque (N-m)	0.49	
Screw	M2.5	
Wire strip length	9~10mm	
Pole	Cat. No.	
02	5ESDFM-02P	
:	:	
:	:	
24	5ESDFM-24P	

**TEL:** +886-2-2908-0614

**FAX:** +886-2-2908-8549

**E-mail:** info@dinkle.com.tw