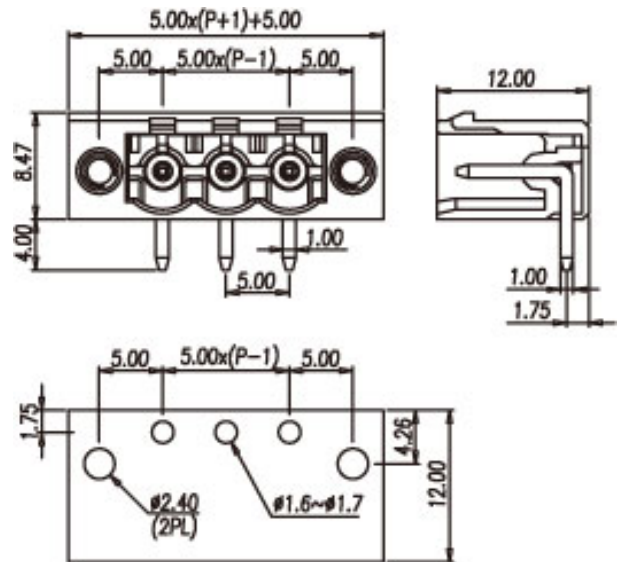


Headers(Sockets) for pluggable terminal blocks / ECH & EHD series



5EHDRM

5EHDRM-XXP
 5EHDRM - series of terminal blocks
 XX - number of Positions (number of Pins/Poles)



Pitch: 5.00mm

| Approval | | |
|---|----------------|------|
| Technical Data | UL | IEC |
| Rated voltage | 300V | 600V |
| Rated current | 15A | 18A |
| Conductor cross-section, solid (AWG/ mm ²) | | |
| Conductor cross-section, flexible (AWG/ mm ²) | | |
| Rated surge voltage (UL/IEC/Max.) | 1.6 / 4 / 4 KV | |
| Torque (N-m) | | |
| Screw | | |
| Wire strip length | | |
| Pole | Cat. No. | |
| 02 | 5EHDRM-02P | |
| : | : | |
| : | : | |
| 24 | 5EHDRM-24P | |

TEL: +886-2-2908-0614

FAX: +886-2-2908-8549

E-mail: info@dinkle.com.tw