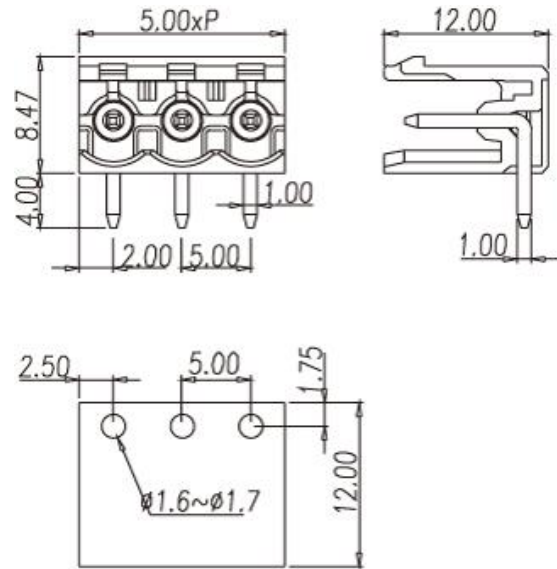


## Headers(Sockets) for pluggable terminal blocks / ECH & EHD series



### 5EHDR

5EHDR-XXP  
 5EHDR - series of terminal blocks  
 XX - number of Positions (number of Pins/Poles)



**Pitch: 5.00mm**

Approval		
Technical Data	UL	IEC
Rated voltage	300V	600V
Rated current	15A	18A
Conductor cross-section, solid (AWG/ mm <sup>2</sup> )		
Conductor cross-section, flexible (AWG/ mm <sup>2</sup> )		
Rated surge voltage (UL/IEC/Max.)	1.6 / 4 / 4KV	
Torque (N-m)		
Screw		
Wire strip length		
<b>Pole</b>	<b>Cat. No.</b>	
02	5EHDR-02P	
:	:	
:	:	
24	5EHDR-24P	

TEL: +886-2-2908-0614

FAX: +886-2-2908-8549

E-mail: [infor@dinkle.com.tw](mailto:infor@dinkle.com.tw)