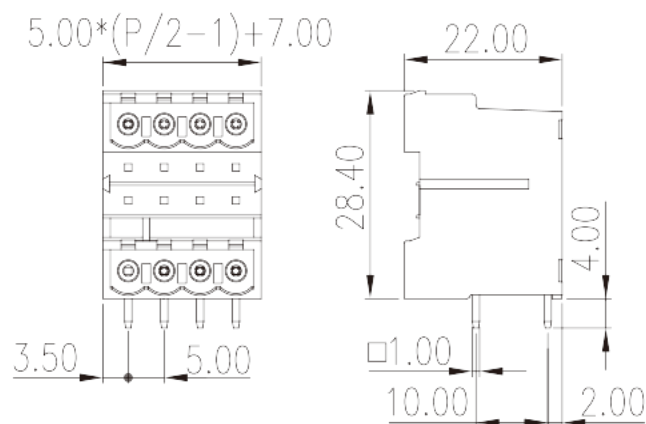


# 5EHDBR-XXP

PCB Terminal Blocks &gt; PCB Connector-Socket

Date:2019-11-22Version:V1



The web catalog is for reference only. Dinkle remains the right of product modification and engineering change of the design. The final product is made according to engineering drawing.

## Product Description

Pitch: 5.00 mm , 300V, 15A

## General information

Short description	PCB connector Socket , Wave soldering
Category	PCB connector Socket
Pitch (mm)	5.00
Color	Green(default)
Type of locking	Without
Soldering method	Wave soldering
Length (mm)	$5.00 \times (P/2 - 1) + 7.00$
Width (mm)	22.00
Height (mm)	28.40
Pin demensions (Thickness x Width)(mm)	1.0X1.0
PCB hole diameter (mm)	1.6~1.7
Number of positions	04~40
Level	Double level

## Material information

Insulation material	PA66
---------------------	------

Insulation material group	I
Flame retardant rating , compliant with UL94	V0
Conductor material	Copper Alloy
Plating of conductor surface	Tinned

## Connection data-IEC

Rated voltage (V)	600
Rated current (A)	18
Rated voltage (II/2)(V)	600
Rated voltage (III/2) (V)	320
Rated voltage (III/3)(V)	250
Rated impulse voltage (II/2)(KV)	4
Rated impulse voltage (III/2)(KV)	4
Rated impulse voltage (III/3)(KV)	4

## Connection data-UL

Rated voltage (UL/CUL Group B)(V)	300
Rated current (UL/CUL Group B)(A)	15
Rated voltage (UL/CUL Group D)(V)	300
Rated current (UL/CUL Group D)(A)	10

## Environment & Safety

Finger protection (YES or NO)	YES
Operating temperature. max (°C)	110
Operating temperature. min (°C)	-40

## UL Recognized

Rated voltage (Group B)(V)	300
Rated current (Group B)(A)	15
Rated voltage (Group D)(V)	300
Rated current (Group D)(A)	10

## CUL Recognized

Rated voltage (Group B)(V)	300
Rated current (Group B)(A)	15

Rated voltage (Group D)(V)	300
Rated current (Group D)(A)	10

### VDE Approval

Rated voltage (V)	600
Rated current (A)	18

### Drawings



### Approvals

