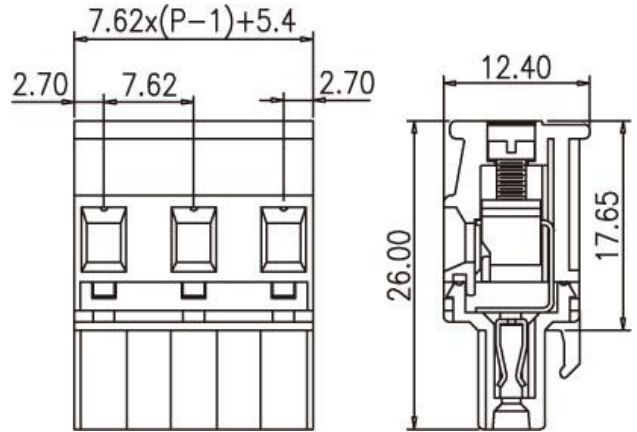


Plugs for pluggable terminal blocks / EC & ESD series



3ESDPL



Pitch: 7.62mm

Approval		
Technical Data	UL	IEC
Rated voltage	300V	750V
Rated current	15A	17.5A
Conductor cross-section, solid (AWG/ mm ²)	28~12 / 0.5~2.5	
Conductor cross-section, flexible (AWG/ mm ²)	30~12 / 0.5~2.5	
Rated surge voltage (UL/IEC/Max.)	1.6 / 3 / 5 KV	
Torque (N-m)	0.51	
Screw	M2.5	
Wire strip length	7~8mm	
Pole	Cat. No.	
02	3ESDPL-02P	
:	:	
:	:	
12	3ESDPL-12P	

TEL: +886-2-2908-0614

FAX: +886-2-2908-8549

E-mail: info@dinkle.com.tw