



NIHON DEMPA KOGYO CO., LTD
CRYSTAL FILTER SPECIFICATIONS



Date , 12/07/2011

THIS SPECIFICATION SHEET IS PROVIDED TO:

For specifying specifications of following product:

(NDK Part Number)

350266-10.700MHZ

(Your Part Number)

Prepared By:

Checked By:

CONFIRMED BY:

For future reference, we thank you to confirm the specifications and send one copy back to us.



SPECIFICATION

CUSTOMER : PETROINTRADE

PACKAGE : Crystal Filter (18.5 x 12.0 x 15.0) mm

NDK PART NO. : 350266-10.700MHz

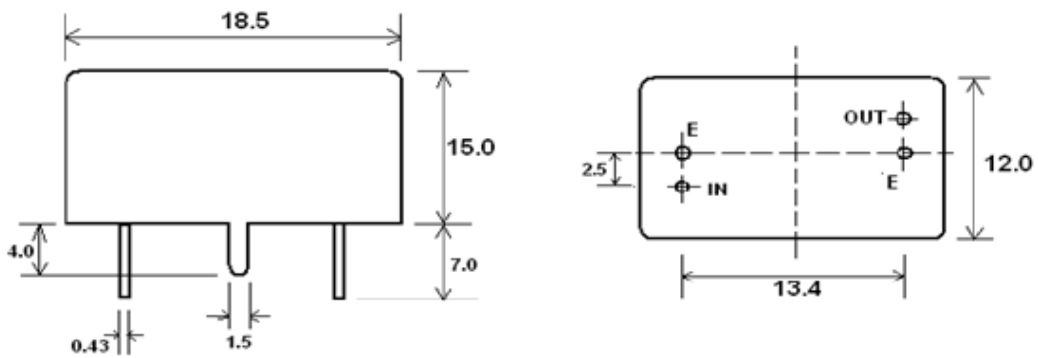
ELECTRICAL CHARACTERISTICS :

Parameter	Symbol	Condition	Specification	Unit
1. Center Frequency	Fo	At 25°C	10.700	MHz
2. Number of Poles		8		
3. Operating Temp. Range			-30 to +85	°C
4. Storage Temp. Range			-40 to +85	°C
5. Pass Band Width		At 6 dB	± 6.0 min.	KHz
6. Stop Band Width		At 90 dB	± 20.0 max.	KHz
7. Ripple			2.0 max.	dB
8. Insertion Loss			3.5 max.	dB
9. Attenuation Guaranteed		Fo ± 20KHz to ± 300KHz	90 min.	dB
10. Terminating Impedance	In		3300 ± 10%	Ω
		Parallel Capacitance with	2.0 ± 10%	pF
	Out		3300 ± 10%	Ω
		Parallel Capacitance with	2.0 ± 10%	pF
11. Insulation Resistance		At DC 100 Volt.	500 min.	MΩ

Date of specification : Jul 12, 2011

NDK-IT-Crystal Filter-006

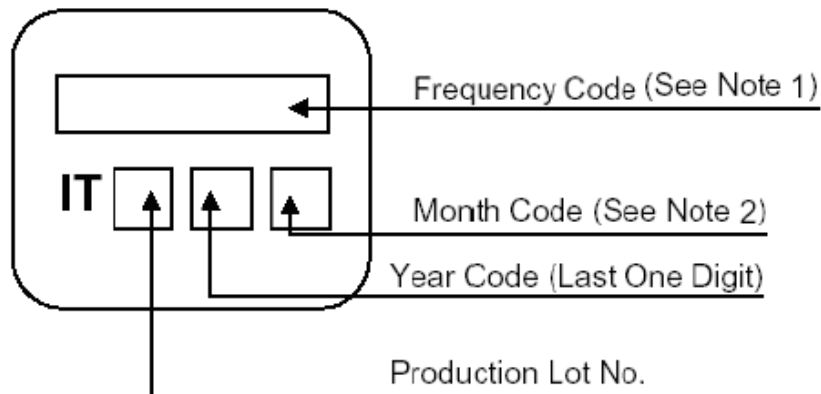
Dimension



Unit : mm

NDK-IT-Crystal Filter-029

Marking



NOTE :

1. Frequency Code

Frequency Code consists of five digits.

Example :

Nominal Frequency	28.636363MHz
Frequency Code	28.636

2. Month Code Table

Month	1	2	3	4	5	6	7	8	9	10	11	12
	Jan	Feb	Mar	Apr	May	Jun	Jul	Aug	Sep	Oct	Nov	Dec
Month Code	1	2	3	4	5	6	7	8	9	X	Y	Z