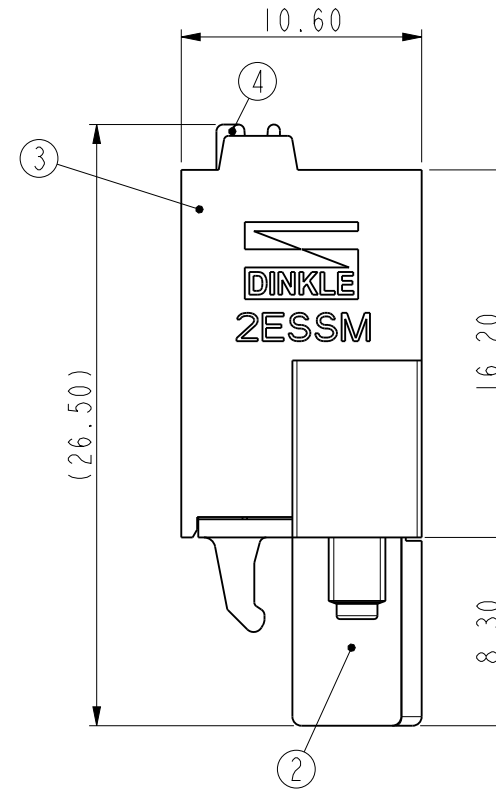
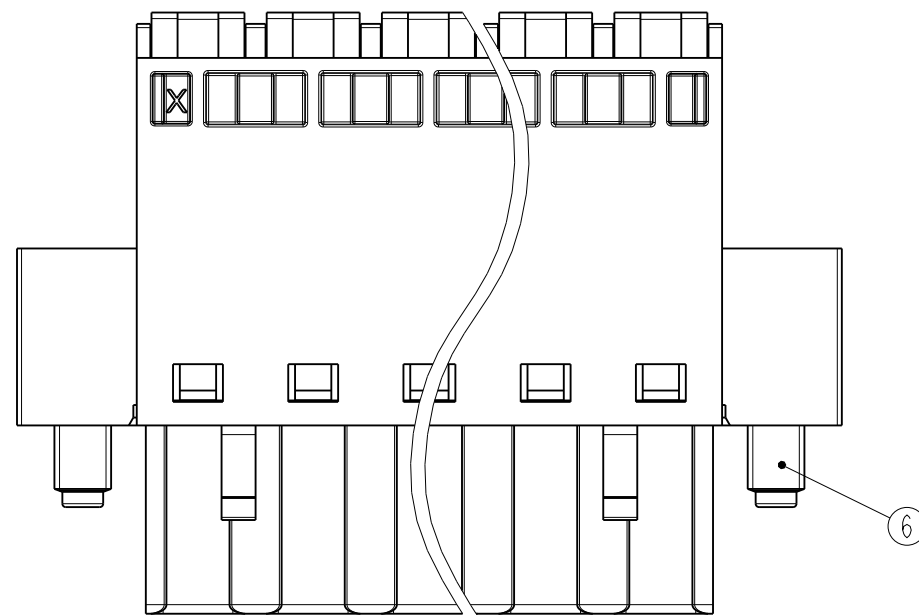
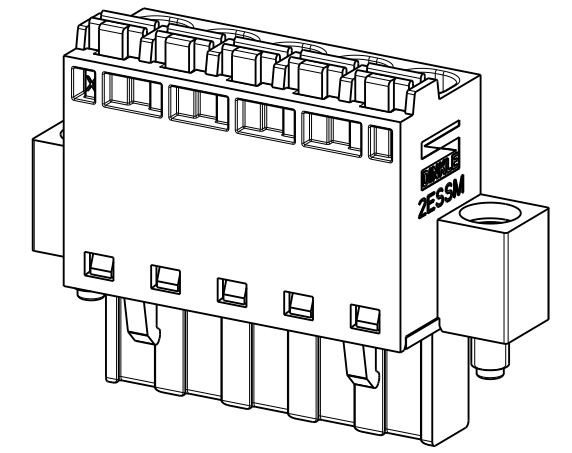
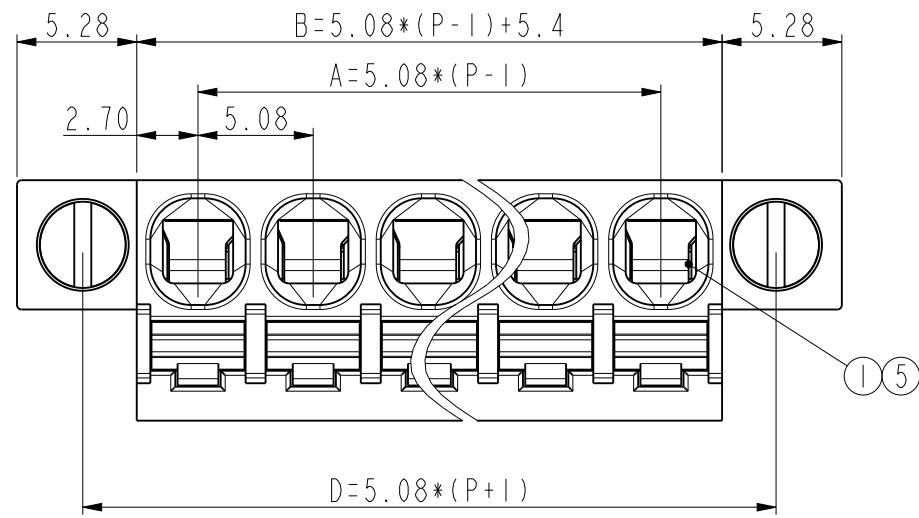


DINKLE has proprietary right to these drawings and specifications hereon, it shall not be reproduced or used as the basis for the manufacture of devices without permission. User should verify drawings are the most recent version.
Copyright © DINKLE Enterprise Co., Ltd. All Rights reserved.



PART NO.:

2ESSM-XXP-□□

POLES

02:2 POLES

03:3 POLES

...

24:24POLES

COLOR

BK:BLACK(STANDARD COLOR)

GN:GREEN

LG:LIGHT GREY

BL:BLUE

P	2	3	4	5	6	7	8	9	10	11	12	13
A	5.08	10.16	15.24	20.32	25.4	30.48	35.56	40.64	45.72	50.8	55.88	60.96
B	10.48	15.56	20.64	25.72	30.8	35.88	40.96	46.04	51.12	56.2	61.28	66.36
P	14	15	16	17	18	19	20	21	22	23	24	
A	66.04	71.12	76.2	81.28	86.36	91.44	96.52	101.6	106.68	111.76	116.84	
B	71.44	76.52	81.6	86.68	91.76	96.84	101.92	107	112.08	117.16	122.24	

6	SCREW	STEEL	M2.5/ Zn Plated
5	S-CAGE	STAINLESS STEEL	
4	LEVER	POM	ORANGE
3	HOUSING	PA66	UL94-V0
2	COVER	PA66	UL94-V0
1	CLAMP	COPPER ALLOY	Tin Plated
ITEM	NAME OF PART	MATERIAL	NOTES

DRW.	Rare.Han	DATE	2022-12-08	GENERAL TOLERANCE	
CHK.	Don.Yan	DATE	2022-12-08	SPECIFICATION FILE	SF-2ESSM-001
APP.	Webb.Liu	DATE	2022-12-08	DRAWING TYPE	SP-03
NAME	2ESSM-XXP				

Total Pitch Tolerances		Normal dimension Tolerances	
0~30	±0.20	0~30	±0.25
over 30~53	±0.25	over 30~53	±0.30
over 53~70	±0.30	over 53~70	±0.35
over 70~90	±0.35	over 70~90	±0.44
over 90~115	±0.44	over 90~115	±0.55
over 115~150	±0.55	over 115~150	±0.70
over 150~200	±0.70	over 150~200	±0.85
over 200~250	±0.85	over 200~250	±1.00
over 250~320	±1.00	over 250~320	±1.20

V2	4				
REV.		CONTENT	DRW.	DATE	

	DINKLE ENTERPRISE CO., LTD.	UNITS	mm	THIRD ANGLE PROJECTION	
		SCALE	3:1	SHEET/OF	1/1

2ESSM

 规格书编号/Specification File No.: **SF-2ESSM-001**

版本/Version: A3

一般資訊 / General Information

产品长叙述/Long description	PCB Connector, Push-in Design, Pitch:5.08mm, 300V,15A
产品类型/Product type	PCB Connector – Plug
间距/ Pitch (mm)	5.08
产品颜色/ Color	Refer to drawing
接线方式/Connection method	Push-in Design
固定方式/ Type of locking	With screw flange
产品长度/ Length (mm)	5.08*(P-1)+15.96
产品宽度/ Width (mm)	10.6
产品高度/ Height (mm)	26.5
电位数/Circuit diagram	2~24
产品点数/Number of poles	02P~24P
产品层数/Level	1
连接点数/Connection points	2~24

材料信息/ Material Information

绝缘材料/ Insulating material	PA66
绝缘材料组别 / Insulating material group	I
阻燃等级,符合 UL94 / UL94 Flammability rating	V0
绝缘阻抗/ Insulation resistance	≥500MΩ at DC 500V
导体材料/ Conductor material	HIGH PERFORMANCE COPPER ALLOY
导体表面镀层/ Plating of conductor surface	Tin PLATED

IEC数据 / IEC Data

额定电压 / Rated Voltage (V)	630
额定电流 / Rated Current(A)	18
额定电压 (II/2) / Rated Voltage (II/2) (V)	630
额定电压 (III/2) / Rated Voltage (III/2) (V)	320
额定电压 (III/3) / Rated Voltage (III/3) (V)	320
额定冲击电压(II/2) / Rated Impulse Voltage (II/2)(Kv)	4
额定冲击电压(III/2) / Rated Impulse Voltage (III/2)(Kv)	4

2ESSM

 规格书编号/Specification File No.: **SF-2ESSM-001**

版本/Version: A3

额定冲击电压(III/3) / Rated Impulse Voltage (III/3)(Kv)	4
最大硬质导线横截面积 / Conductor cross section solid. max (mm ²)	2.5
最小硬质导线横截面积 / Conductor cross section solid. min (mm ²)	0.2
最大柔性导线横截面积/ Conductor cross section stranded. max (mm ²)	2.5
最小柔性导线横截面积/ Conductor cross section stranded. min (mm ²)	0.2
柔性导线横截面积·最大的管状裸端子 / Conductor cross section flexible, with max ferrule without insulation (mm ²)	2.5
柔性导线横截面积·最小的管状裸端子 / Conductor cross section flexible, with min ferrule without insulation (mm ²)	0.25
柔性导线横截面积·最大的管状预绝缘端子 / Conductor cross section flexible, with max ferrule with insulation (mm ²)	2.5
柔性导线横截面积·最小的管状预绝缘端子 / Conductor cross section flexible, with min ferrule with insulation (mm ²)	0.25
具有相同截面积的二根柔性导线·最大双线管状预绝缘端子 / 2 conductors with same cross section flexible, max ferrule with insulation for double wire (mm ²)	1
具有相同截面积的二根柔性导线·最小的双线管状预绝缘端子 / 2 conductors with same cross section flexible, min ferrule with insulation for double wire (mm ²)	0.5

UL数据 / UL Data

额定电压 (UL/CUL 标准组 B 组)/Rated Voltage (UL/CUL B Group) (V)	300
额定电流 (UL/CUL 标准组 B 组)/Rated Current (UL/CUL B Group)(A)	15
额定电压 (UL/CUL 标准组 D 组)/ Rated Voltage (UL/CUL D Group) (V)	300
额定电流 (UL/CUL 标准组 D 组)/Rated Current (UL/CUL D Group)(A)	10
最小导线, 符合 UL/CUL / Min. wire connection acc. to UL/CUL(AWG)	24
最大导线, 符合 UL/CUL /Max. wire connection acc. to UL/CUL(AWG)	12
最小硬质导线, 符合 UL/CUL/ Min. solid wire connection acc. to UL/CUL(AWG)	24
最大硬质导线, 符合 UL/CUL/ Max. solid wire connection acc. to UL/CUL(AWG)	12

通用参数 / General Data

螺丝刀规格/Screwdriver size	0.6x3.5
法兰最大扭矩 /Flange Torque Max(N.m)	0.3
剥线长度 / Stripping Length (mm)	10~11

环境与安全 / Environmental and safety

手指防护(YES or NO) / Finger protection	YES
最高工作温度 / Operating temperature max (°C)	120
最低工作温度 / Operating temperature min (°C)	-40

2ESSM

 规格书编号/Specification File No.: **SF-2ESSM-001**

版本/Version: A3

配件/Accessories

KEY CODE	ESDK1
----------	-------

产品认证/许可/ Approvals



UL Recognized

线径范围 B 组/Wire Range (Group B) (AWG)	24~12
额定电压 B 组/Rated Voltage (Group B) (V)	300
额定电流 B 组/Rated Current (Group B) (A)	15
线径范围 D 组/Wire Range(Group D) (AWG)	24~12
额定电压 D 组/Rated Voltage(Group D) (V)	300
额定电流 D 组/Rated Current(Group D) (A)	10

CUL Recognized

线径范围 B 组/Wire Range (Group B) (AWG)	24~12
额定电压 B 组/Rated Voltage (Group B) (V)	300
额定电流 B 组/Rated Current (Group B) (A)	15
线径范围 D 组/Wire Range(Group D) (AWG)	24~12
额定电压 D 组/Rated Voltage(Group D) (V)	300
额定电流 D 组/Rated Current(Group D) (A)	10

VDE Approval

线径范围 / Wire Range(mm ²)	0.2~2.5
额定电压/Rated Voltage(V)	630
额定电流/Rated Current (A)	18

2ESSM

规格书编号/Specification File No.: SF-2ESSM-001

版本/Version: A3

降额曲线图 / Derating Curve

