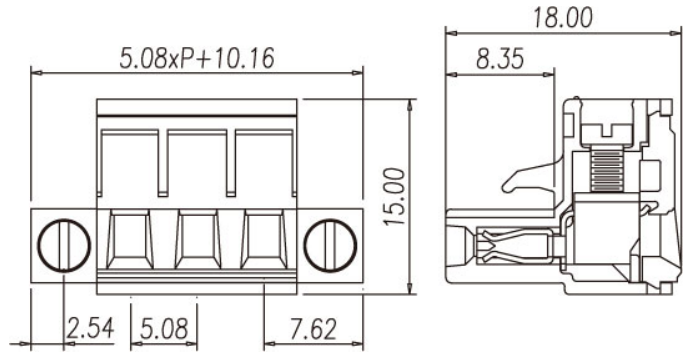


**Plugs for pluggable terminal blocks / EC & ESD series**



**2ESDVM**

2ESDVM-XXP  
 2ESDVM - series of terminal blocks  
 XX - number of Positions (number of Pins/Poles)



**Pitch: 5.08mm**

Approval		
Technical Data	UL	IEC
Rated voltage	300V	600V
Rated current	15A	18A
Conductor cross-section, solid (AWG/ mm <sup>2</sup> )	28~12 / 0.2~2.5	
Conductor cross-section, flexible (AWG/ mm <sup>2</sup> )	30~12 / 0.2~2.5	
Rated surge voltage (UL/IEC/Max.)	1.6 / 4 / 4 KV	
Torque (N-m)	0.51	
Screw	M2.5	
Wire strip length	7~8mm	
Pole	Cat. No.	
02	2ESDVM-02P	
:	:	
:	:	
24	2ESDVM-24P	

**TEL:** +886-2-2908-0614

**FAX:** +886-2-2908-8549

**E-mail:** info@dinkle.com.tw