

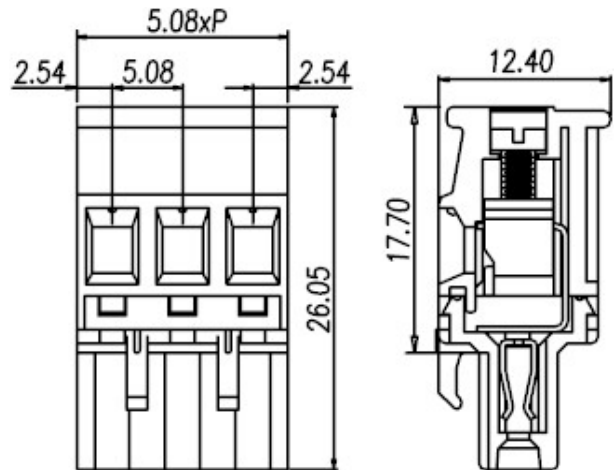
Plugs for pluggable terminal blocks / EC & ESD series






2ESDP



2ESDP-XXP
2ESDP - series of terminal blocks
XX - number of Positions (number of Pins/Poles)



Pitch: 5.08mm

Approval	  	
Technical Data	UL	IEC
Rated voltage	300V	600V
Rated current	15A	18A
Conductor cross-section, solid (AWG/ mm ²)	28~12 / 0.2~2.5	
Conductor cross-section, flexible (AWG/ mm ²)	30~12 / 0.2~2.5	
Rated surge voltage (UL/IEC/Max.)	1.6 / 4/ 4 KV	
Torque (N-m)	0.51	
Screw	M2.5	
Wire strip length	7~8mm	
Pole	Cat. No.	
02	2ESDP-02P	
:	:	
:	:	
24	2ESDP-24P	

TEL: +886-2-2908-0614

FAX: +886-2-2908-8549

E-mail: info@dinkle.com.tw