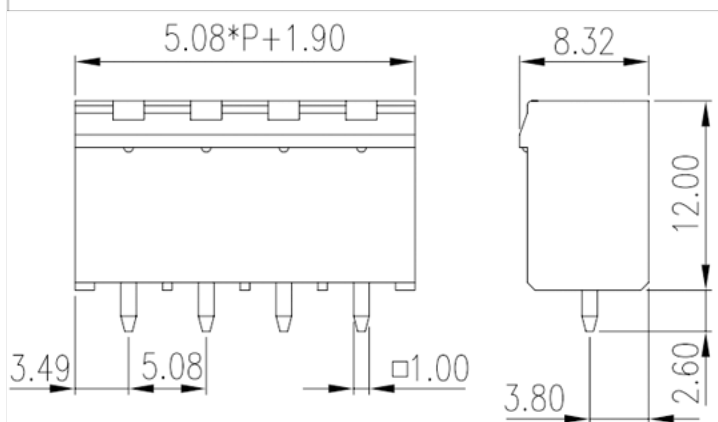
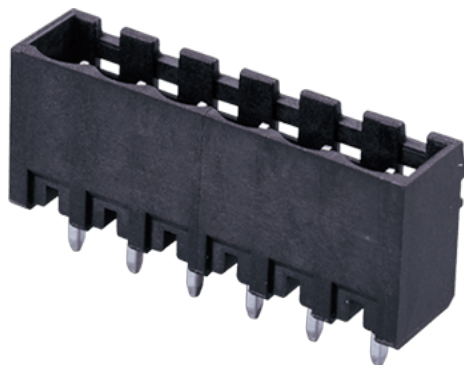


# 2EHDVC-XXPL

PCB Terminal Blocks &gt; PCB Connector-Socket

Date:2019-02-25Version:V1



The web catalog is for reference only. Dinkle remains the right of product modification and engineering change of the design. The final product is made according to engineering drawing.

## Product Description

Pitch: 5.08 mm , 300V, 15A

## General information

Short description	PCB connector Socket , Reflow soldering
Category	PCB connector Socket
Pitch (mm)	5.08
Color	Black(default)
Type of locking	Without
Soldering method	Reflow soldering
Length (mm)	5.08xP+1.90
Width (mm)	8.32
Height (mm)	12.00
Pin demensions (Thickness x Width)(mm)	1.0X1.0
PCB hole diameter (mm)	1.60
Number of positions	02~24
Level	Single level

## Material information

Insulation material	PA66
---------------------	------

Insulation material group	I
Flame retardant rating , compliant with UL94	V0
Conductor material	Copper Alloy
Plating of conductor surface	Tinned

### Connection data-IEC

Rated current (A)	18
Rated voltage (II/2)(V)	600
Rated voltage (III/2) (V)	320
Rated voltage (III/3)(V)	250
Rated impulse voltage (II/2)(KV)	4
Rated impulse voltage (III/2)(KV)	4
Rated impulse voltage (III/3)(KV)	4

### Connection data-UL

Rated voltage (UL/CUL Group B)(V)	300
Rated current (UL/CUL Group B)(A)	15
Rated voltage (UL/CUL Group D)(V)	300
Rated current (UL/CUL Group D)(A)	10

### Environment & Safety

Finger protection (YES or NO)	YES
Operating temperature. max (°C)	115
Operating temperature. min (°C)	-40

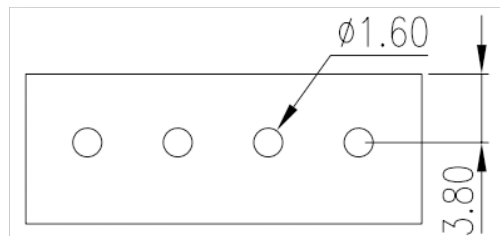
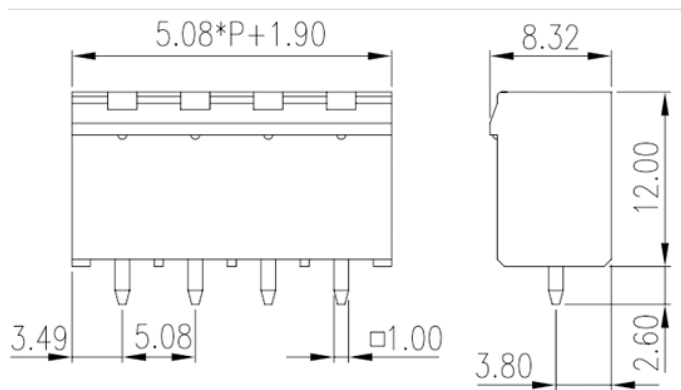
### UL Recognized

Rated voltage (Group B)(V)	300
Rated current (Group B)(A)	15
Rated current (Group C)(A)	300
Wire Range (Group D)(AWG)	10

### CUL Recognized

Rated voltage (Group B)(V)	300
Rated current (Group B)(A)	15
Rated current (Group C)(A)	300

## Drawings



## Approvals

