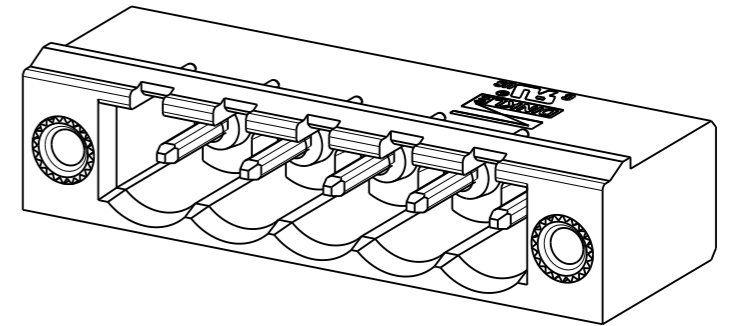
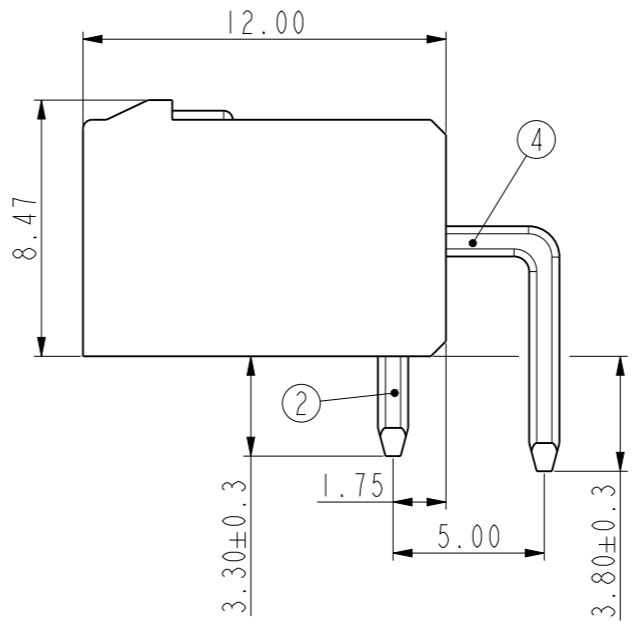
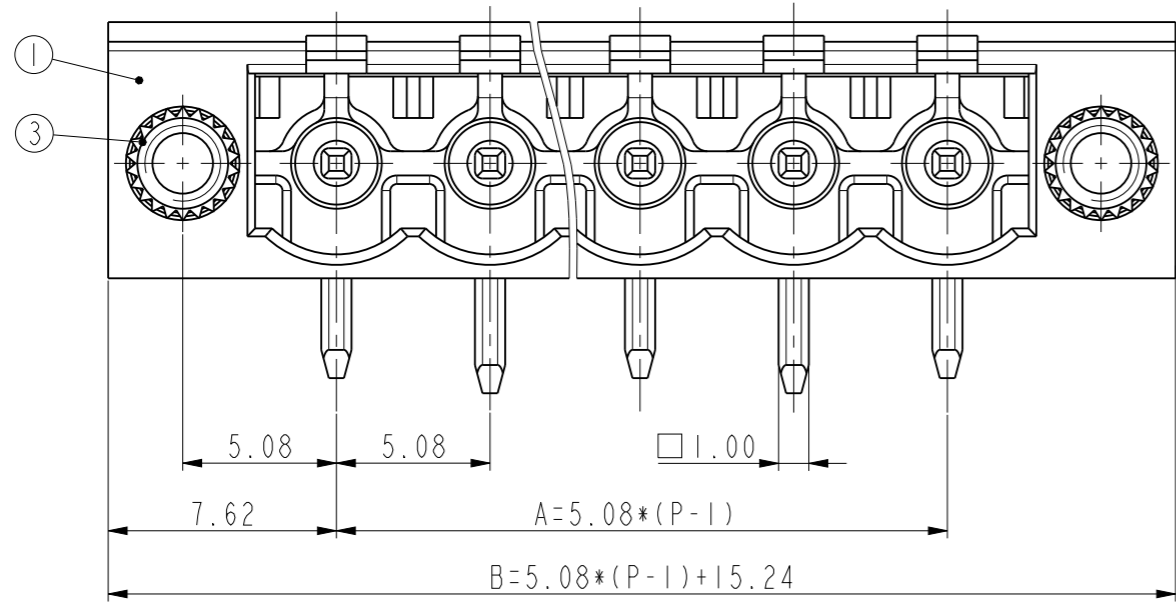
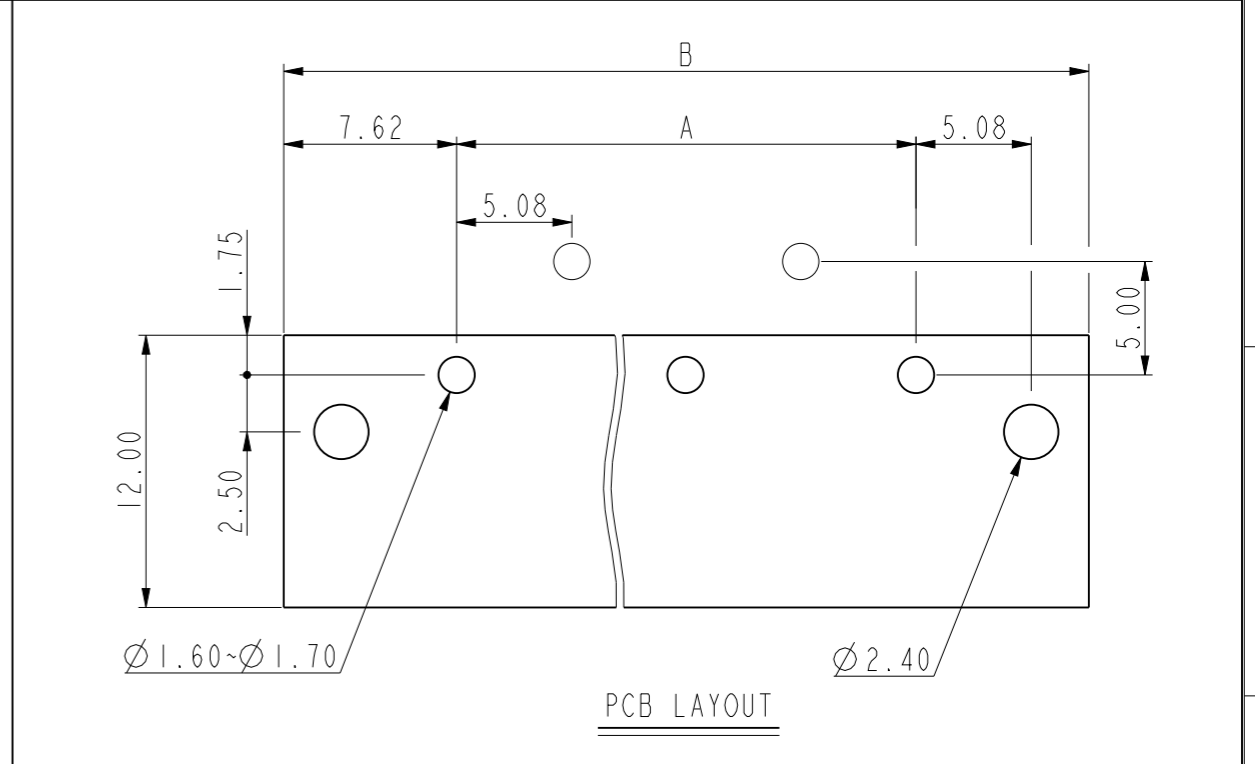
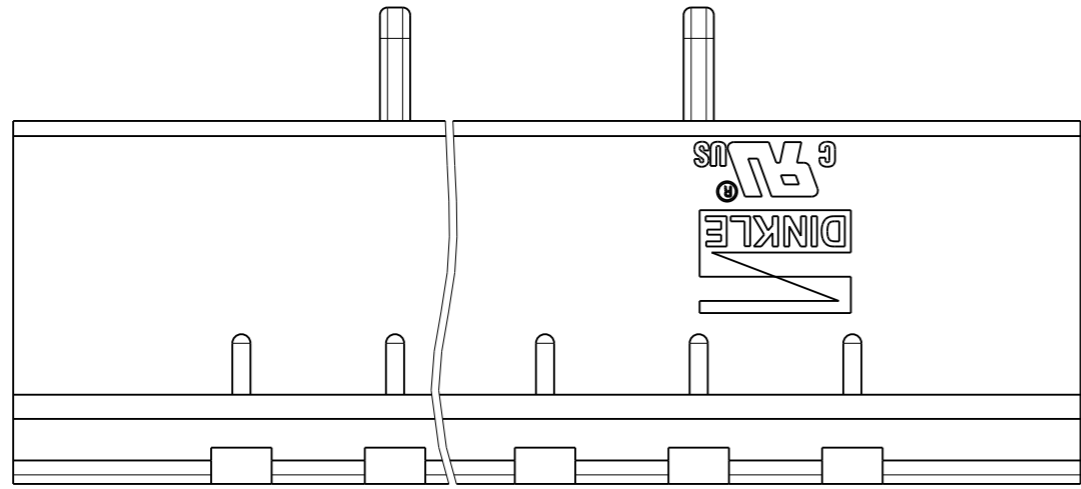


DINKLE has proprietary right to these drawings and specifications hereon, it shall not be reproduced or used as the basis for the manufacture of devices without permission. User should verify drawings are the most recent version.  
Copyright © DINKLE Enterprise Co., Ltd. All Rights reserved.

P	2	3	4	5	6	7	8	9	10	11	12	13
A	5.08	10.16	15.24	20.32	25.40	30.48	35.56	40.64	45.72	50.80	55.88	60.96
B	20.32	25.40	30.48	35.56	40.64	45.72	50.80	55.88	60.96	66.04	71.12	76.20
P	14	15	16	17	18	19	20	21	22	23	24	
A	66.04	71.12	76.20	81.28	86.36	91.44	96.52	101.60	106.68	111.76	116.84	
B	81.28	86.36	91.44	96.52	101.60	106.68	111.76	116.84	121.92	127.00	132.08	



4	SOLDER PIN	COPPER ALLOY	Tin Plated
3	NUT	COPPER ALLOY	M2.5/
2	SOLDER PIN	COPPER ALLOY	Tin Plated
1	HOUSING	PA66	UL94-V0 GREEN
ITEM	NAME OF PART	MATERIAL	NOTES

DRW.	Alan Zhang	DATE	2022-11-09	GENERAL TOLERANCE	
CHK.	Fancy.Hu	DATE	2022-11-09	SPECIFICATION FILE	SF-2EHDRM-0631-XXP
APP.	Webb.Liu	DATE	2022-11-09	DRAWING TYPE	SP-03

PART NO. **2EHDRM-0631-XXP**

**DINKLE** ENTERPRISE CO., LTD. UNITS: mm THIRD ANGLE PROJECTION  
SCALE: 4:1 SHEET/OF: 1/1

Total Pitch Tolerances		Normal dimension Tolerances	
0~30	±0.20	0~30	±0.25
over 30~53	±0.25	over 30~53	±0.30
over 53~70	±0.30	over 53~70	±0.35
over 70~90	±0.35	over 70~90	±0.44
over 90~115	±0.44	over 90~115	±0.55
over 115~150	±0.55	over 115~150	±0.70
over 150~200	±0.70	over 150~200	±0.85
over 200~250	±0.85	over 200~250	±1.00
over 250~320	±1.00	over 250~320	±1.20

**2EHDRM-0631-XXP**  
**2EHDRM - series of terminal blocks**  
**0631 - modification to PCB**  
**XX - number of Positions (number of Pins/Poles)**

VI	I		
REV.	CONTENT	DRW.	DATE

F

F

# 2EHDRM

 规格书编号/Specification File No.: **SF-2EHDRM-0631-XXP**

版本/Version: A1

## 一般資訊 / General Information

产品长叙述/Long description	PCB Connector, Pitch: 5.08mm, 300V,20A
产品类型/Product type	PCB Connector – Socket
间距/Pitch (mm)	5.08
产品颜色/Color	Refer to drawing
固定方式/Type of locking	With threaded flange
焊接方式/Soldering Method	Wave Soldering
产品长度/Length (mm)	5.08*(P-1)+15.24
产品宽度/Width (mm)	15.75
产品高度/Height (mm)	8.47
出脚尺寸(厚度___x 宽度___mm)/ Pin dimensions(mm)	1x1
出脚长度/Pin length(mm)	3.3&3.8
焊孔直径/PCB hole diameter(mm)	1.6~1.7
电位数/Circuit diagram	2~24
产品点数/Number of poles	02P~24P
产品层数/Level	1
连接点数/Connection points	2~24

## 材料信息 / Material Information

绝缘材料/ Insulating material	PA66
绝缘材料组别 / Insulating material group	I
阻燃等级,符合 UL94 / UL94 Flammability rating	V0
绝缘阻抗/ Insulation resistance	≥500MΩ at DC 500V
导体材料/ Conductor material	COPPER ALLOY
导体表面镀层/Plating of conductor surface	Tin PLATED

## IEC数据 / IEC Data

额定电压 / Rated Voltage (V)	630
额定电流 / Rated Current (A)	18
额定电压 (II/2) / Rated Voltage (II/2) (V)	630
额定电压 (III/2) / Rated Voltage (III/2) (V)	320
额定电压 (III/3) / Rated Voltage (III/3) (V)	320

# 2EHDRM

 规格书编号/Specification File No.: **SF-2EHDRM-0631-XXP**

版本/Version: A1

额定冲击电压(II/2) / Rated Impulse Voltage (II/2) (kV)	4
额定冲击电压(III/2) / Rated Impulse Voltage (III/2) (kV)	4
额定冲击电压(III/3) / Rated Impulse Voltage (III/3) (kV)	4

## UL数据 / UL Data

额定电压 (UL/CUL 标准 B 组)/Rated Voltage (UL/CUL Group B) (V)	300
额定电流 (UL/CUL 标准 B 组)/Rated Current (UL/CUL Group B) (A)	20
额定电压 (UL/CUL 标准 D 组)/Rated Voltage (UL/CUL Group D) (V)	300
额定电流 (UL/CUL 标准 D 组)/Rated Current (UL/CUL Group D) (A)	10

## 通用参数 / General Data

法兰最大扭矩 /Tightening flange torque Max (N.m)	0.3
备注说明/Remarks	焊接前,产品两侧可选用自攻螺钉 ST2.2x6.5C 固定 ( Before welding, both sides of the product can be optionally fixed with self-tapping screws ST2.2x6.5C)

## 环境与安全 / Environmental and safety

手指接触防护 IP20( IEC 60529)/Finger protection IP20(IEC60529)	YES
最高工作温度/Operating temperature max(°C)	120
最低工作温度/Operating temperature min(°C)	-40

## 配件/Accessories

KEY CODE	EHDK1
----------	-------

## 产品认证/许可 / Approvals


 UL Recognized 

# 2EHDRM

 规格书编号/Specification File No.: **SF-2EHDRM-0631-XXP**

版本/Version: A1

额定电压 B 组/Rated Voltage (Group B) (V)	300
额定电流 B 组/Rated Current (Group B) (A)	20
额定电压 D 组/Rated Voltage (Group D) (V)	300
额定电流 D 组/Rated Current (Group D) (A)	10

## CUL Recognized

额定电压 B 组/Rated Voltage (Group B) (V)	300
额定电流 B 组/Rated Current (Group B) (A)	20
额定电压 D 组/Rated Voltage (Group D) (V)	300
额定电流 D 组/Rated Current (Group D) (A)	10

## VDE Approval

额定电压/Rated Voltage(V)	630
额定电流/Rated Current (A)	18