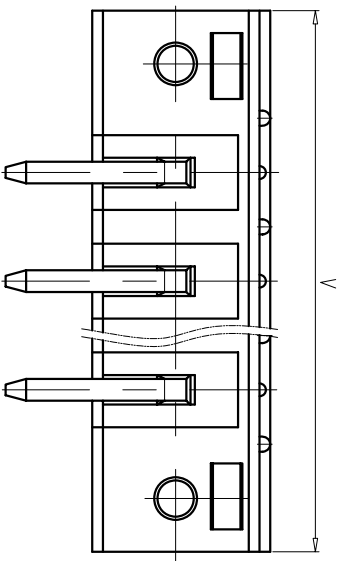
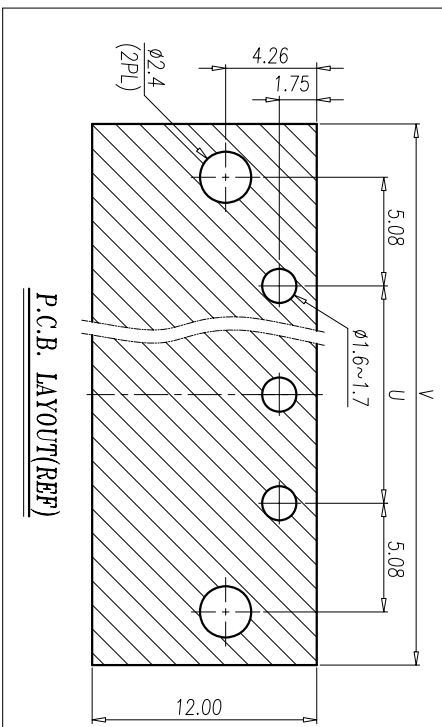
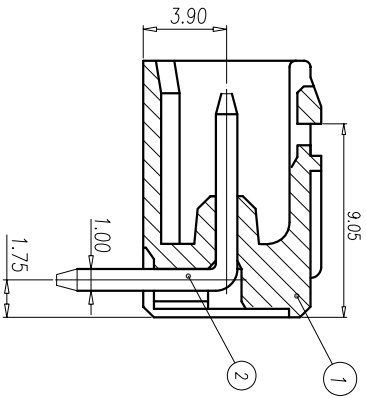
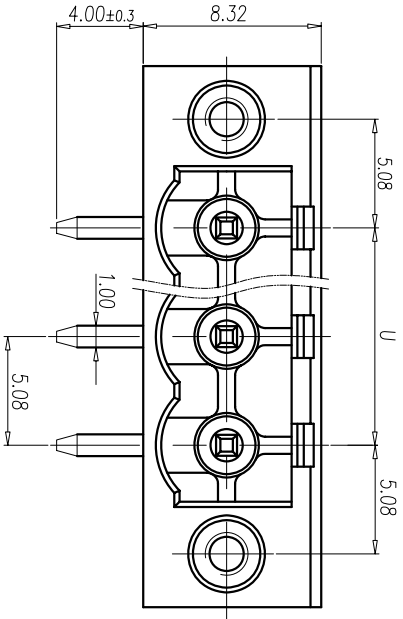


- NOTES:
1. Rating: 300V 15 A(IEC 250V 17.5A)
PITCH: 5.08mm
 2. Insulation Withstands Voltage: AC 1500V at 1 minute
 3. Insulation Resistance: 500MΩ or more at DC500V
 4. Using Temperature Range: -40°C~+120°C
 5. RoHS Compliance.



| Normal Geometric Tolerancing | |
|---|-------------------|
| 0 to 100 over 100 to 150 over 150 | 0.2 0.3 0.5 |
| 0 to 10 over 10 | 0.2 0.3 |

| P | 2 | 3 | 4 | 5 | 6 | 7 | 8 | 9 | 10 | 11 | 12 | 13 |
|---|-------|-------|-------|-------|--------|--------|--------|--------|--------|--------|--------|-------|
| U | 5.08 | 10.16 | 15.24 | 20.32 | 25.40 | 30.48 | 35.56 | 40.64 | 45.72 | 50.80 | 55.88 | 60.96 |
| V | 20.22 | 25.30 | 30.38 | 35.46 | 40.54 | 45.62 | 50.70 | 55.78 | 60.86 | 65.94 | 71.02 | 76.10 |
| P | 14 | 15 | 16 | 17 | 18 | 19 | 20 | 21 | 22 | 23 | 24 | |
| U | 66.04 | 71.12 | 76.20 | 81.28 | 86.36 | 91.44 | 96.52 | 101.60 | 106.68 | 111.76 | 116.84 | |
| V | 81.18 | 86.26 | 91.34 | 96.42 | 101.50 | 106.58 | 111.66 | 116.74 | 121.82 | 126.90 | 131.98 | |

| DWG. | LWF | DATE | 09.09.14 | UNITS | MM | SHEET/OF | 1/1 |
|------|-----|------|----------|-------|---------------|----------|-----|
| CHK. | | DATE | | SCALE | 4:1 | | |
| APP. | | DATE | | NAME | 2EHDRM-XXPTHT | | |

| Total Pitch Tolerances | | Normal dimension Tolerances | |
|------------------------|-------|-----------------------------|-------|
| 0<U<=30 | ±0.20 | 0~30 | ±0.25 |
| 30<U<=53 | ±0.25 | over 30~53 | ±0.30 |
| 53<U<=70 | ±0.30 | over 53~70 | ±0.35 |
| 70<U<=90 | ±0.35 | over 70~90 | ±0.44 |
| 90<U<=115 | ±0.44 | over 90~115 | ±0.55 |
| 115<U<=150 | ±0.55 | over 115~150 | ±0.70 |

| REV. | CONTENT | CHK. | DATE |
|------|---------|------|------|
| | | | |

| DWG. | LWF | DATE | 09.09.14 | UNITS | MM | SHEET/OF | 1/1 |
|------|-----|------|----------|-------|---------------|----------|-----|
| CHK. | | DATE | | SCALE | 4:1 | | |
| APP. | | DATE | | NAME | 2EHDRM-XXPTHT | | |

| ITEM | NAME OF PART | MATERIAL | NOTES |
|------|-----------------|----------------------|--------------------|
| 2 | SOLDER PIN | COPPER ALLOY | Tin Plated |
| 1 | 包封零件 HOUSING | COPPER ALLOY PA46 | M2.5X0.45 BLACK |

| DWG. NO. | SP-03-2EHRMTHHT |
|----------|-----------------|
|----------|-----------------|