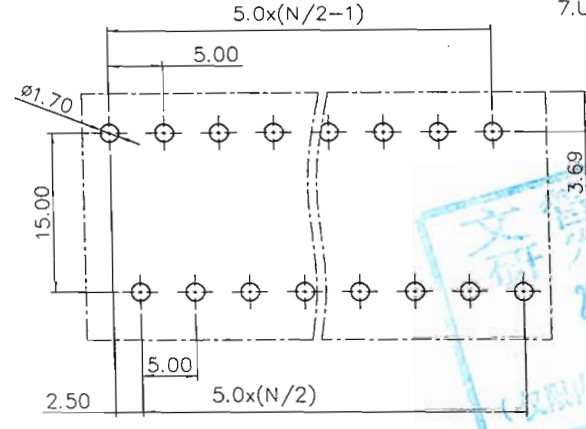
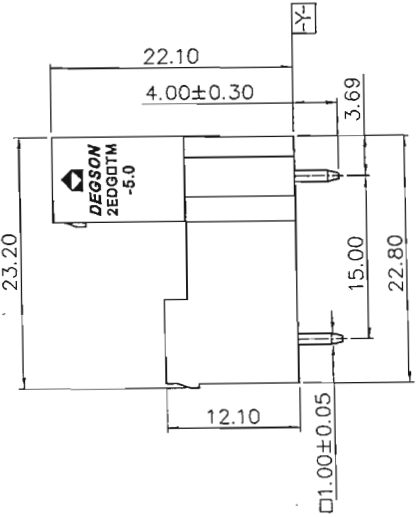
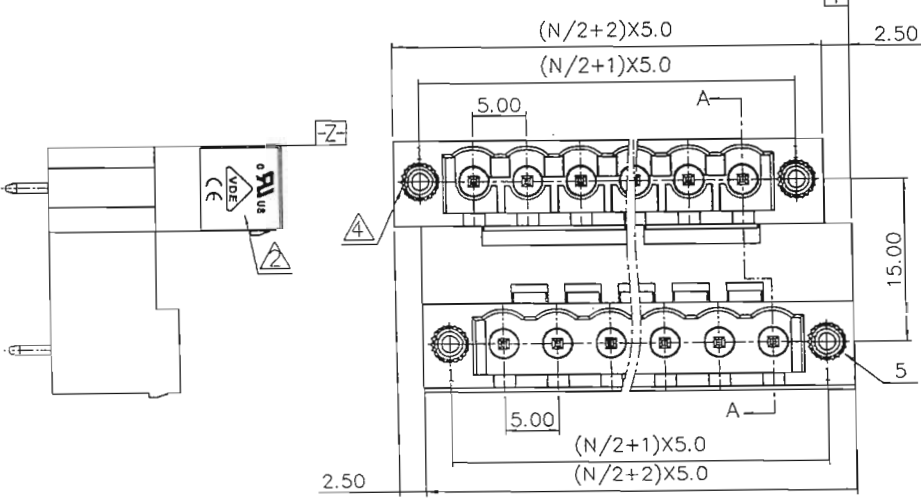


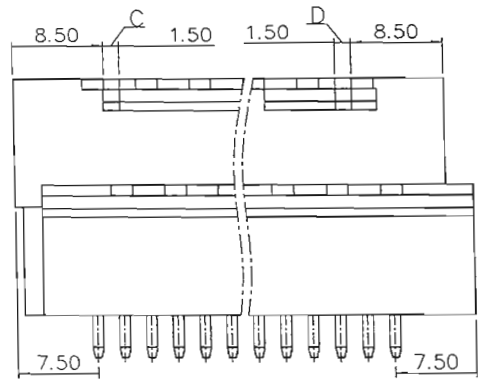
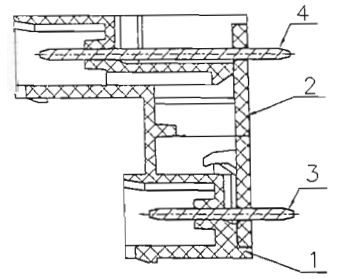
REVISION RECORD				
REV	ECN	DESCRIPTION	DRFT	DATE
△		品名、料号增加环保标示“(H)”	LJH	12/11/07
△		增加VDE刻字	Zengy	08/30/10
△	10-0310	根据实物更新图面	Golden	09/20/10
△	11-0143	修改螺孔结构,变更料号,增加I字标示	ZMT	05/23/11
△		整理图面	ZMT	01/05/13
△	14-0107	黄铜变紫铜,料号变更;工频耐压变更为额定冲击电压	WL	07/17/14

NOTES:
 1. DIMENSION SHALL BE INTERPRETED PER ASME Y14.5-2009.
 2. PITCH: 5.0MM ,POLES: ONE-BLOCK FOR 4-24P INTER LOCKING FOR 24-48P
 3. RATED VOLTAGE/CURRENT: UL 300V/15A VDE 320V/10A
 4. OPERATION TEMPERATURES: -40℃~+105℃
 5. RATED IMPULSE VOLTAGE: 4.0KV △
 6. INSULATION RESISTANCE: 5000Ω/DC1000V
 7. UNDIMENSIONED TOLERANCES:

注:C D两处与插头卡勾相配合必须要有凸台,其余凹槽凸台均不作管控。
 (The C and D section must match the contact point with bump. The rest of groove and bulge are undefined.)



Pitch range in mm		Nominal dimension range in mm						
to 6	over 6 to 10	over 10 to 24	to 30	over 30 to 60	over 60 to 100	over 100 to 150	150	
±0.10	±0.15	±0.25	±0.2	±0.3	±0.5	±0.7	±1.0 0.05/H	



ITEM	NAME OF PART	NO. OF PART	Q"TY	MATERIAL	NOTES
1	2EDGVTM-5.0 housing(Right foot)	1074A0Y(3&4+1)F(H)	1	PA66	>24P
	2EDGVTM-5.0 housing(Left foot)	1074A0Y(3&4-1)E(H)	1	PA66	>24P
	2EDGVTM-5.0 housing	1074A0YXXD(H)	1	PA66	≤24P

ITEM	DESCRIPTION	PART NO.	QTY	MATERIAL	FINISH
5	2EDG Nut	S000001040(H)	4	BRASS	
4	2EDGVT-long pin	1032B00040(H)	XX/2	COPPER	Sn Plated
3	2EDGV-pin(1*13.7)	1007B00330(H)	XX/2	COPPER	Sn Plated
2	2EDGVT-5.0-Cover	1032C0Y(3&4+1)A(H)	1	PA66	>24P
	2EDGVT-5.0-Cover	1032C0Y(3&4-1)A(H)	1	PA66	>24P
	2EDGVT-5.0-Cover	1032C0YXXA(H)	1	PA66	≤24P

DEGSON 宁波高正电子有限公司
 DEGSON ELECTRONICS CO., LTD

NAME: 2EDGVTM-5.0-XXP-1Y-00A(H)

TITLE: ASSEMBLY DRAWING

DRAWING NO.: 2EDGVTM-5.0-E01

DRFT: Apple 06/18/06

DO NOT SCALE DRAWING

SCALE: N/A

SHEET: 1/1