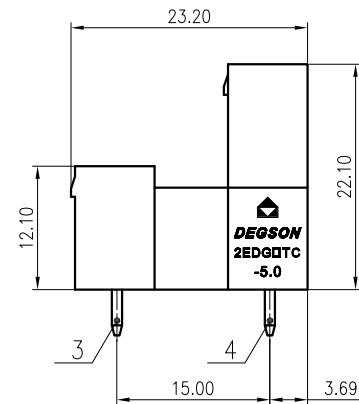
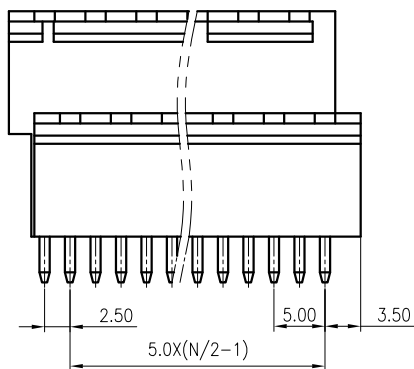
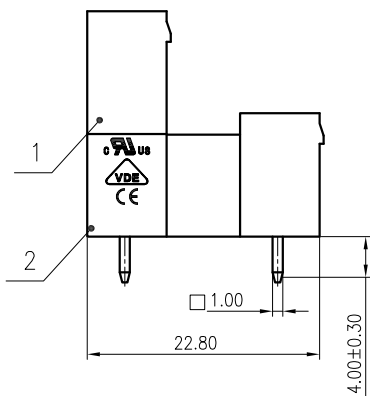
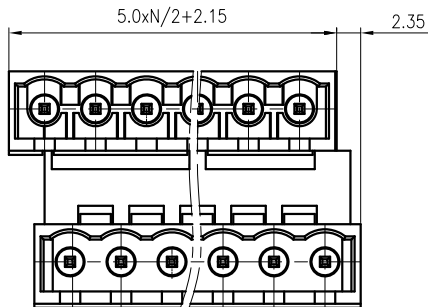
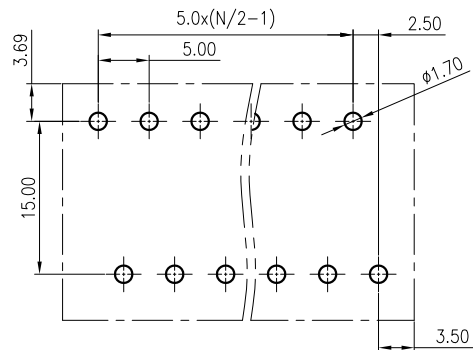


PCB LAYOUT



公差表/General tolerances(mm)														
0	>3	>6	>10	>18	>30	>50	>80	>120	>180	>250	>315	>400	>500	0.1/10
~	~	~	~	~	~	~	~	~	~	~	~	~	~	±2°
±0.12	±0.18	±0.22	±0.26	±0.31	±0.37	±0.57	±0.80	±0.93	±1.05	±1.15	±1.60	±2.20	±2.50	

ITEM	NAME OF PART	MATERIAL	NOTES
4	Pin header 2	Copper	Sn Plated
3	Pin header 1	Copper	Sn Plated
2	Cover	PA66	UL94V-0
1	Housing	PA66	UL94V-0
UL 标准/UL Standard:			
额定电压/Rated Voltage(V)/Current(A)	B	C	D
300/15	/	300/10	/
IEC 标准/IEC Standard:			
过压类别/Overvoltage Category/污染等级/Pollution Degree	III/3	III/2	II/2
额定电压/Rated Voltage(V)/Current(A)	/	320/10	/
额定脉冲电压(kV)/Rate impulse Voltage(kV)	/	4	/
线数范围/Poles	N=04~48P		
使用温度范围/Operating temperature(°C)	-40~+105		
符合RoHS环保要求/Conform to RoHS	Yes		

MATERIAL: /	SURFACE: /		
MAT NO.: /	宁波高松电子有限公司 NINGBO DEGSON ELECTRICAL CO., LTD		
STATUS: /	NAME: 2EDGVTc-5.0-XXP-1Y-00A(H)		
APPD: Lan ChH 2020.05.18	DRAWING NO.: 10002008		REV TO
CHKD: /	DRFT: GongYzh 2020.05.19		1/1
TYPE: CUSTOMER DRAWING		SCALE: 2:1	SHEET

REV	ECN	DESCRIPTION	DRFT	DATE

SIZE: A3 $\frac{mm}{(inch)}$

TYPE: CUSTOMER DRAWING SCALE: 2:1 SHEET 1/1