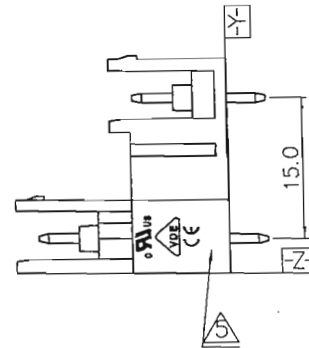
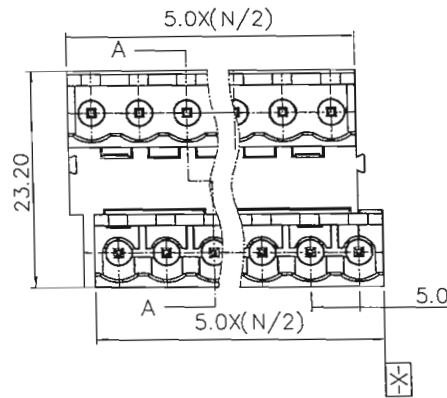
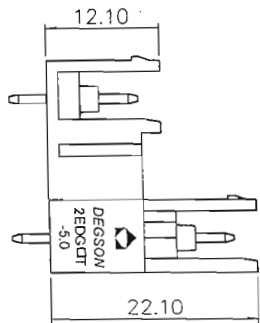
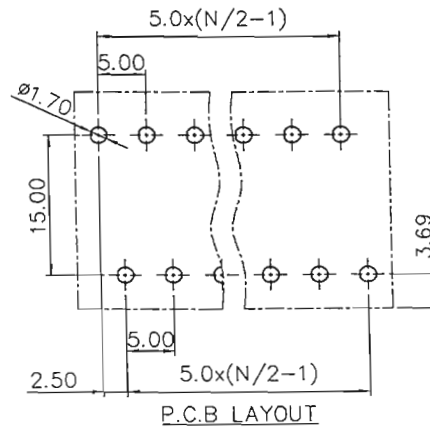
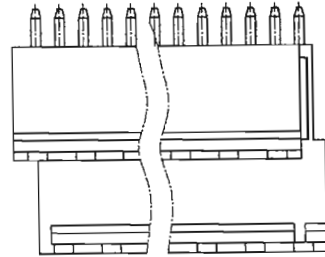
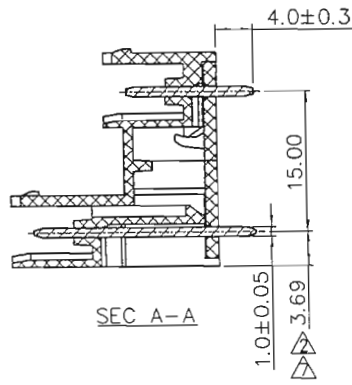
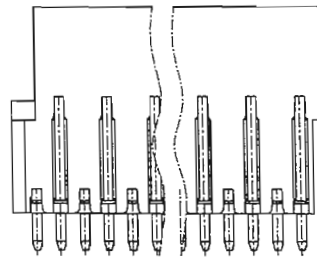
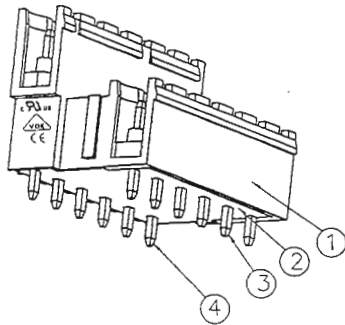


REVISION RECORD				
REV	ECN	DESCRIPTION	DRFT	DATE
△		Drawing emend	WF	02/22/06
△		Drawing emend	CSX	04/27/06
△		增加UL刻字	CSX	08/31/07
△		品名、料号增加环保标示“(H)”	LJH	12/11/07
△		增加VDE刻字	WLM	11/04/08
△		“4-24P”修改为“4-48P”	WLM	01/09/09
△	14-0107	黄铜变紫铜, 料号变更; 工频耐压变更为额定冲击电压, 加尺寸变更	WL	07/11/14



Pitch range in mm		Nominal dimension range in mm					
to 6	over 6 to 10	over 10 to 24	over 30 to 60	over 60 to 100	over 100 to 150	over 150	—
±0.10	±0.15	±0.25	±0.2	±0.3	±0.5	±0.7	±1.0

- NOTES:
- 1.DIMENSION SHALL BE INTERPRETED PER ASME Y14.5-2009.
 - 2.PITCH: 5.0MM , POLES: 4-48P(EVEN) △
 - 3.RATED VOLTAGE/CURRENT: UL 300V/15A VDE 320V/10A
 - 4.OPERATION TEMPERATURES: -40° C~+105° C
 - 5.RATED IMPULSE VOLTAGE: 4.0KV △
 - 6.INSULATION RESISTANCE: 5000MΩ/1000V
 - 7.UNDIMENSIONED TOLERANCES:



△	4	2EDGVT-long pin	1032B00040(H)	XX	COPPER	Sn Plated
△	3	2EDGV(A)-pin	1007B00330(H)	XX	COPPER	Sn Plated
	2	2EDGVT-5.0 cover	1032COYXXA(H)	1	PA66	UL94V-0

1	2EDGVT-5.0 housing	1032A0YXXA(H)	1	PA66	UL94V-0
ITEM	NAME OF PART	NO. OF PART	Q"TY	MATERIAL	NOTES

MM (INCH)		MATERIAL:		NAME:	
TOLERANCES EXCEPT AS NOTED		FINISH:		DEGSON® 宁波高正电子有限公司 DEGSON ELECTRONICS CO., LTD	
.X ±	.X' ±	PART NO.:		NAME: 2EDGVT-5.0-XXP-1Y-00A(H)	
.XX ±	.XX' ±	APPD: Aaron 17/12/14		TITLE: ASSEMBLY DRAWING	
.XXX ±	.XXX' ±	CHKD: [Signature]		DRAWING NO.: 2EDGVT-5.0-E01	
ANGLES ± 1'		DRFT: WYP 09/18/04		REV	T7
THIRD ANGLE PROJECTION		DO NOT SCALE DRAWING		SCALE	N/A
				SHEET	1/1