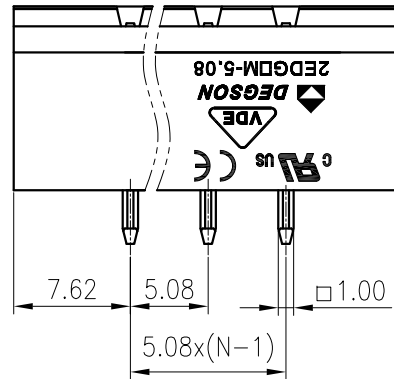
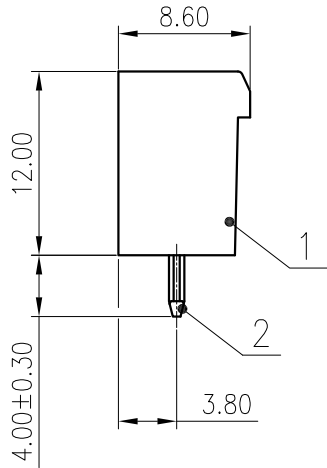
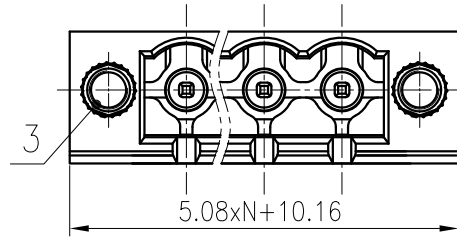
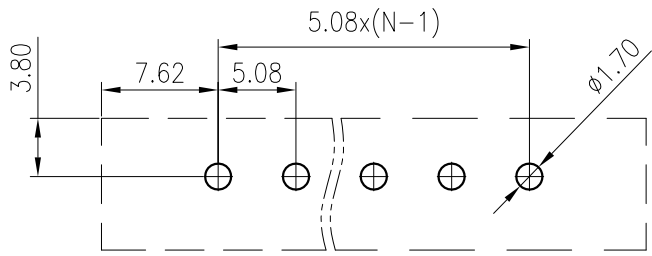


PCB LAYOUT



未注公差/General tolerances(mm)											0.1/10		
0	>3	>6	>10	>18	>30	>50	>80	>120	>180	>250		>315	>400
~3	~6	~10	~18	~30	~50	~80	~120	~180	~250	~315	~400	~500	~2.50
±0.12	±0.18	±0.22	±0.26	±0.31	±0.37	±0.57	±0.80	±0.93	±1.05	±1.15	±1.60	±2.20	±2.50

2EDGVM-5.08-XXP-1Y-00A(H) or 2EDGVM-5.08-XXP-1Y-00Z(H)
2EDGVM-5.08-XXP-1Y-00AH or 2EDGVM-5.08-XXP-1Y-00ZH
2EDGVM-5.08 - series of terminals
XXP - number of Poles (number of Pins)
1 - single-row

Y - color of housing (4 - green color)
00A(H) or 00Z(H) (00AH or 00ZH) - no value

Note:
The A&Z(H) in the name means: A(H) and Z(H)

3	Nut	Copper alloy	/
2	Pin	Copper	Sn Plated
1	Housing	PA66	UL94V-0

ITEM	NAME OF PART	MATERIAL	NOTES
UL 标准/UL Standard:		B	C D
额定电压/电流/Rated Voltage(V)/Current(A)		300/15	/ 300/10
IEC 标准/IEC Standard:			
过压类别/Overvoltage Category/污染等级/Pollution Degree		III/3	III/2 II/2
额定电压/电流/Rated Voltage(V)/Current(A)		/	320/20 /
额定脉冲电压(KV)/Rate Impulse Voltage(KV)		/	4 /
线数范围/Poles		N=02~22P	
使用温度范围/Operating temperature(°C)		-40~+105	
符合RoHS环保要求/Conform to RoHS		Yes	

MATERIAL:	SURFACE:		
MAT NO.:	/		
STATUS:	/		
APPD: Lan ChH 2020.05.21	NAME:		
CHKD: /	2EDGVM-5.08-XXP-1Y-00A&Z(H)		
DRFT: LuZhH 2019.07.01	DRAWING NO.:	2EDGVM-5.08-C04	REV T1
SIZE: A4	TYPE: CUSTOMER DRAWING	SCALE: 2:1	SHEET 1/1

文管中心
 研发专用
 2020.05.21
 (仅限内部使用, 对外无效)

REV	ECN	DESCRIPTION	DRFT	DATE