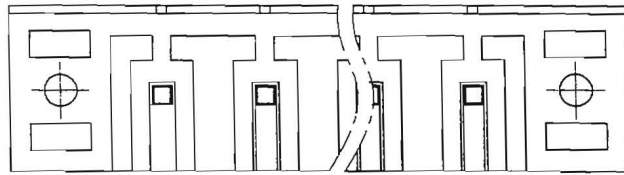
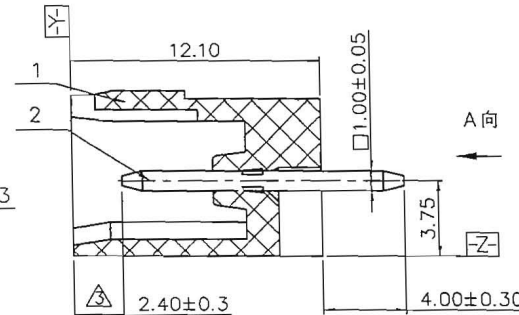
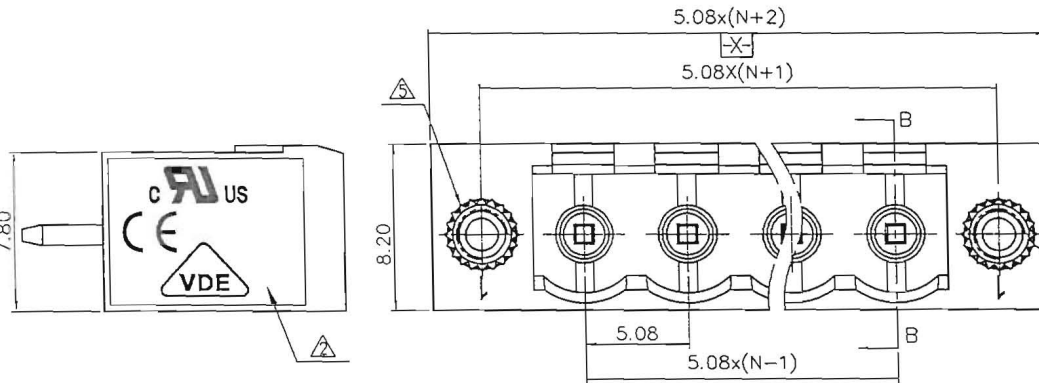


REVISION RECORD

REV	ECN	DESCRIPTION	DRFT	DATE
△		Drawing emend	WF	04/04/06
△		增加VDE, CE刻字	Zengy	07/29/08
△	10-0329	增加标注尺寸	COCO	10/07/10
△	11-0035	改善螺帽结构, 改用变更后塑件与螺帽	HD	03/08/11
△	11-0255	修改螺帽孔结构	ZMT	10/17/11
△	14-0107	黄铜变紫铜, 料号变更; 工频耐压变更为额定冲击电压	HHJ	12/15/14



VIEW-A



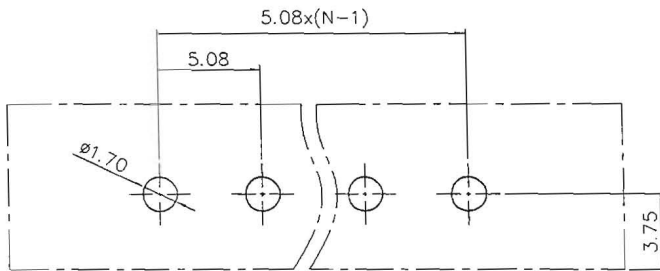
SEC B-B



NOTES:

1. DIMENSION SHALL BE INTERPRETED PER ASME Y14.5-2009.
2. PITCH: 5.08MM, POLES: 2-22P
3. RATED VOLTAGE/CURRENT: UL 300V/15A VDE 320V/20A
4. OPERATION TEMPERATURES: -40°C~+105°C
5. RATED IMPULSE VOLTAGE: 4.0KV
6. INSULATION RESISTANCE: 5000MΩ/DC1000V
7. UNDIMENSIONED TOLERANCES:

Pitch range in mm		Nominal dimension range in mm							
to	over	to	to	to	to	to			
6	10	6	10	24	30	60	100	150	∩
±0.10	±0.15	±0.25	±0.2	±0.3	±0.5	±0.7	±1.0	±0.05no	□



P.C.B LAYOUT

ITEM	NAME OF PART	NO. OF PART	Q'TY	MATERIAL	NOTES
△ 3	2EDG-Screw cap	S000001040(H)	2	BRASS	
△ 2	2EDGV-Pin header	1007B00330(H)	XX	COPPER	Sn Plated
△ 1	2EDGVM-5.08-Housing	1012A0YXXC(H)	1	PA66	UL94V-0

DETACHED LISTS	TOLERANCES EXCEPT AS NOTED		MATERIAL:		NINGBO DEGSON ELECTRICAL CO., LTD	
	FINISH:		PART NO.:		NAME:	
	Series 2EDGVM-5.08		2EDGVM-5.08+XXP-1Y-00A(H)		TITLE: ASSEMBLY DRAWING	
	APPD: <i>Daron</i>		CHKD: <i>Xm</i>		DRAWING NO.: 2EDGVM-5.08-E03	
THIRD ANGLE PROJECTION		DRFT: WF 11/21/05		DO NOT SCALE DRAWING		SCALE N/A
				SHEET 1/1		REV T6