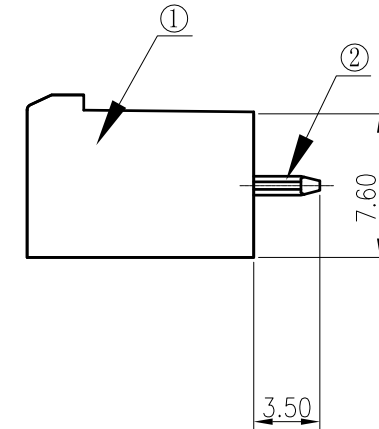
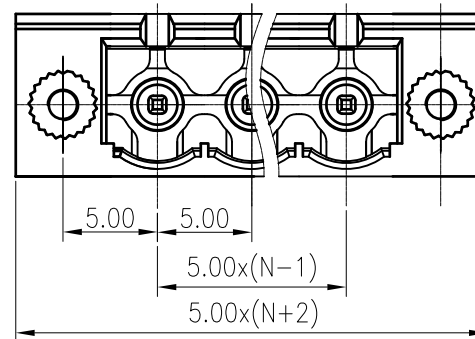
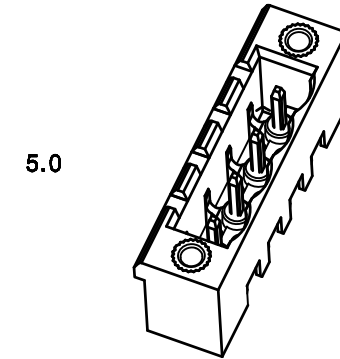
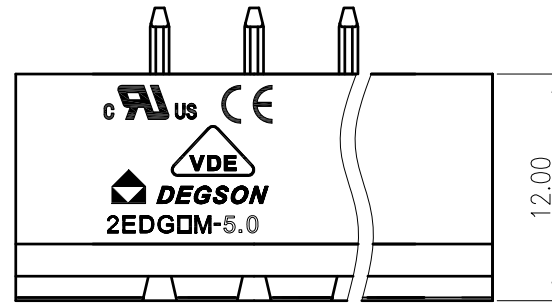
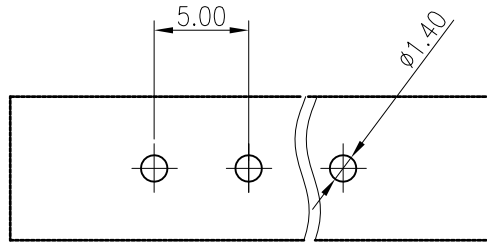


REVISION RECORD				
REV	ECO	DESCRIPTION	DRFT	DATE
1	12-015	针加长并结构变更	ZMT	07/25/12

PCB Lay out:



Notes:

1. Pitch: 5.00mm, poles:2-22P
2. Rated voltage/current: UL 300V/15A  
VDE 320V/20A
3. Withstanding voltage: AC2500V/1Min
4. Insulation resistance:5000MΩ/DC1000V
5. Operation temperatures:-40° C~+105° C
6. Undimensioned Tolerances:

Pitch range in mm		Nominal dimension range in mm						
to	over	to	to	to	to	to	to	
6	10	10	24	30	60	100	150	∩
±0.10	±0.15	±0.25	±0.2	±0.3	±0.5	±0.7	±1.0	0.05/10

ITEM	NAME OF PART	Q'TY	MATERIAL	NOTES
3	2EDG Screw Cap	2	Brass	
2	2EDGVC-13A Pin header	XX	COPPER	2-24P Manual assembly
1	2EDGV/RM-5.0-100A Housing	1	PA66	UL94V-0

DETACHED LISTS	MM (INCH)	DFTO COCO	DATE 11/16/11"
	TOLERANCES EXCEPT AS NOTED	CHKD	DATE
		MFO	DATE
		APPVL	DATE
	ANGLES ± 1°	G.E :	
	THIRD ANGLE PROJECTION	FINISH :	
SCALE : 1:1		DO NOT SCALE DRAWING	

宁波高正电子有限公司  
DEGSON ELECTRONICS CO., LTD

NAME  
2EDGVM-5.0-XXP-1Y-100A (H)

DRAWING NO. 2EDGVM-5.0-C06      SIZE A3      REV T1  
/PART NO.      07/25/12

SHEET 1 OF 1