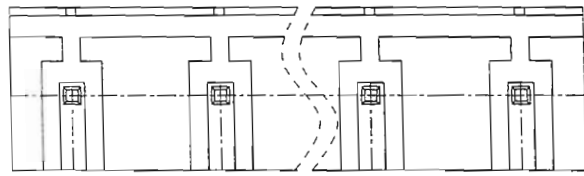
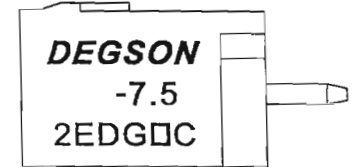
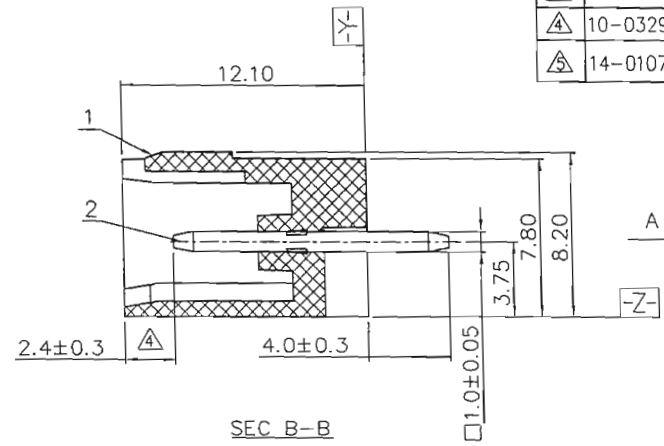
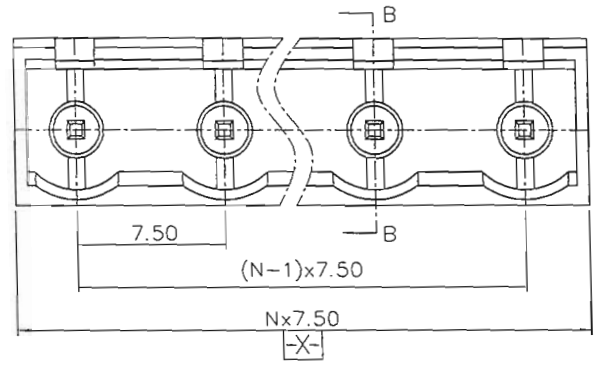
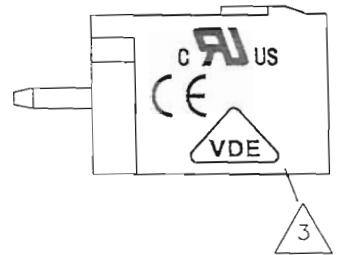
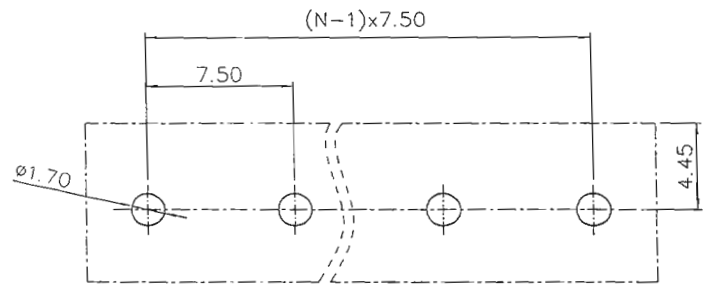


REVISION RECORD				
REV	ECN	DESCRIPTION	DRFT	DATE
△		Drawing emend	WF	02/22/06
△		Drawing emend	csx	04/24/06
△		增加VDE、CE刻字	Ye j	02/28/08
△	10-0329	增加标注尺寸	COCO	10/07/10
△	14-0107	黄铜变紫铜, 料号变更; 工频耐压变更为额定冲击电压	HHJ	12/22/14



VIEW A



P.C.B LAYOUT

- NOTES:
- 1.DIMENSION SHALL BE INTERPRETED PER ASME Y14.5-2009.
 - 2.PITCH: 7.5MM
 - 3.RATED VOLTAGE/CURRENT:UL 300V/15A VDE 400V/20A
 - 4.RATED IMPULSE VOLTAGE: 4.0KV
 - 5.INSULATION RESISTANCE: 5000MΩ/DC1000V
 - 6.OPERATION TEMPERATURES: -40°C~+105°C
 - 7.UNDIMENSIONED TOLERANCES:

Pitch range in mm		Nominal dimension range in mm						
to	over	to	over	to	over	to	over	
6	6	10	30	60	100	150		∩
	10	24	30	60	100	150		∇
±0.10	±0.15	±0.25	±0.2	±0.3	±0.5	±0.7	±1.0	as no

△ 2	2EDGV Pin header	1007B00330(H)	XX	COPPER	Sn Plated
1	2EDGVC-7.5-Housing	1022A0YXXA(H)	1	PA66	UL94V-0
ITEM	NAME OF PART	NO. OF PART	Q'TY	MATERIAL	NOTES

DEGSON 宁波高正电子有限公司
DEGSON ELECTRONICS CO., LTD

NAME: 2EDGVC-7.5-XXP-1Y-00A(H)

TITLE: ASSEMBLY DRAWING
DRAWING NO.: 2EDGVC-7.5-E02

APPD: *Acron 12/22/14*
CHKD: *Am 12/22/14*
DRFT: HAOYH 10/07/05

DO NOT SCALE DRAWING

REV	T5
SHEET	1/1