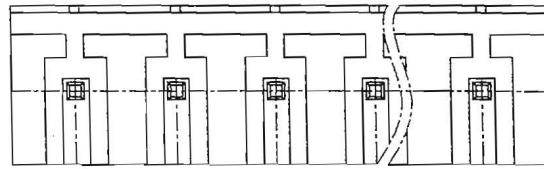
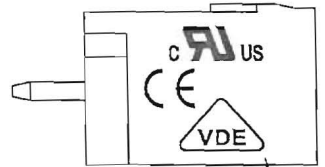


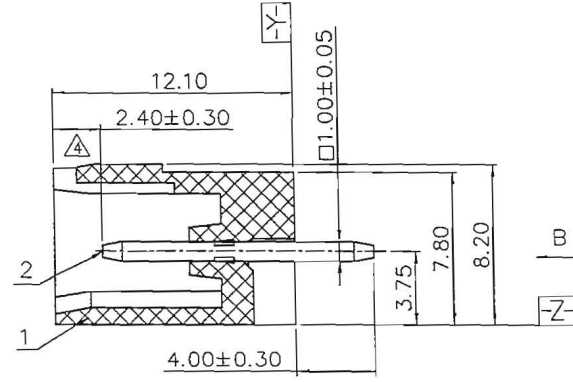
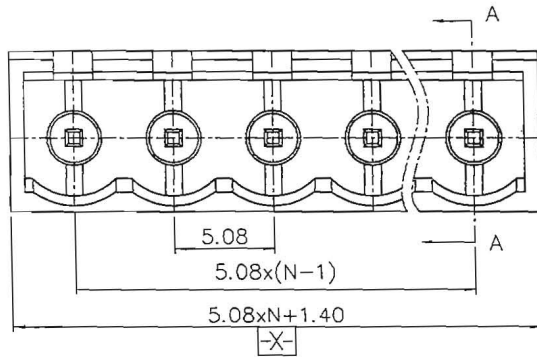
REVISION RECORD				
REV	ECN	DESCRIPTION	DRFT	DATE
△1		图面更新	csx	05/06/06
△2		增加VDE、CE刻字	YeJ	02/28/08
△3		增加自动化方针	WLM	09/23/08
△4	10-0329	增加标注尺寸	COCO	10/09/10
△5	14-0107	黄铜变紫铜, 料号变更; 工频耐压变更为额定冲击电压	HHJ	12/22/14



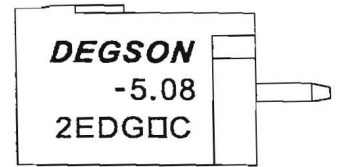
VIEW B



2

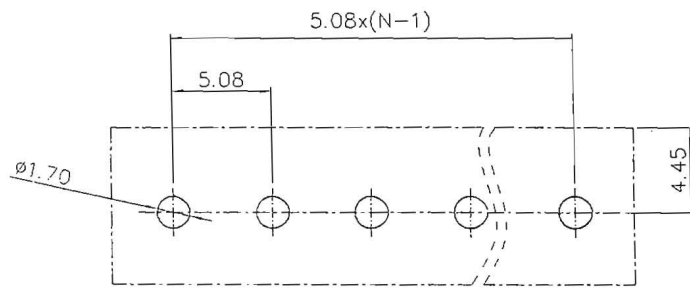


SEC A-A



Pitch range in mm		Nominal dimension range in mm				
to	over	to	over	to	over	
6	6	30	30	100	150	□
10	10	60	60	100	150	□
24	24	100	100	150	150	□
±0.10	±0.15	±0.25	±0.2	±0.3	±0.5	±0.7
						±1.0 0.05, 0.10

- NOTES:
- 1.DIMENSION SHALL BE INTERPRETED PER ASME Y14.5-2009.
  - 2.PITCH: 5.08MM, POLES: 2-24P
  - 3.RATED VOLTAGE/CURRENT: UL 300V/15A VDE 320V/20A
  - 4.OPERATION TEMPERATURES: -40°C~+105°C
  - △5.RATED IMPULSE VOLTAGE: 4.0KV
  - 6.INSULATION RESISTANCE: 5000MΩ/DC1000V
  - 7.UNDIMENSIONED TOLERANCES:



P.C.B LAYOUT

ITEM	NAME OF PART	NO. OF PART	Q'TY	MATERIAL	NOTES
△2	2EDGV-Pin header Automatic assembly	1007B00340(H)	XX	COPPER	Sn Plated
△2	2EDGV-Pin header Manual assembly	1007B00330(H)	XX	COPPER	Sn Plated
1	2EDGVC-5.08 Housing	1009A0YXXA(H)	1	PA66	UL94V-0

DETACHED LISTS	← MM (INCH) →	MATERIAL:	NINGBO DEGSON ELECTRICAL CO., LTD	
	TOLERANCES EXCEPT AS NOTED	FINISH:	DEGSON®	
	.X ± .XX ± .XXX ±	.X' ± .XX' ± .XXX' ±	PART NO.:	NAME:
	Series 2EDGVC-5.08		2EDGVC-5.08-XXP-1Y-00A(H)	
ANGLES ± 1°	APPD: <i>Axon 11/23/14</i>	TITLE: ASSEMBLY DRAWING	REV	T5
THIRD ANGLE PROJECTION	CHKD: <i>Xm 12/22/14</i>	DRAWING NO.: 2EDGVC-5.08-E06	DO NOT SCALE DRAWING	SCALE N/A SHEET 1/1