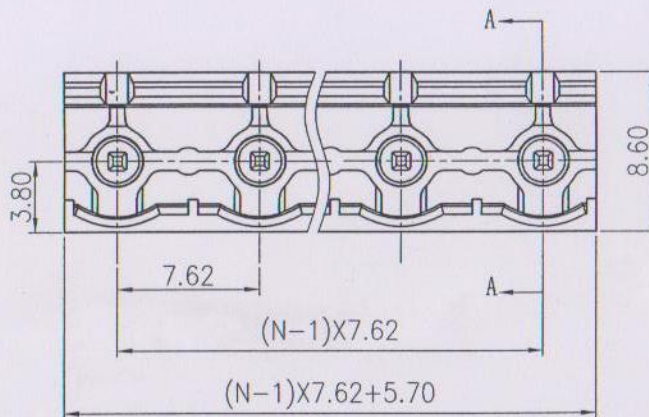
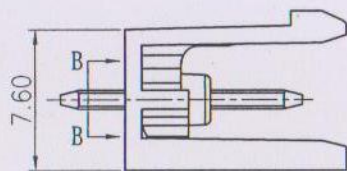
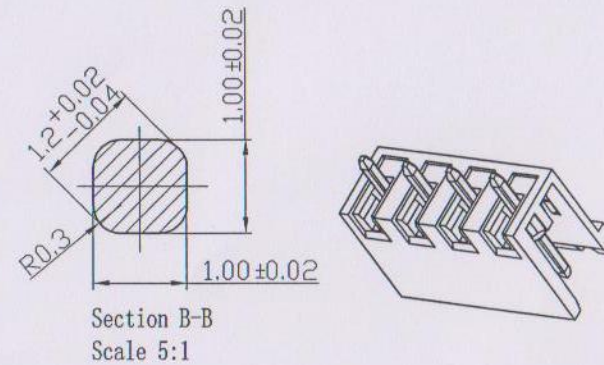
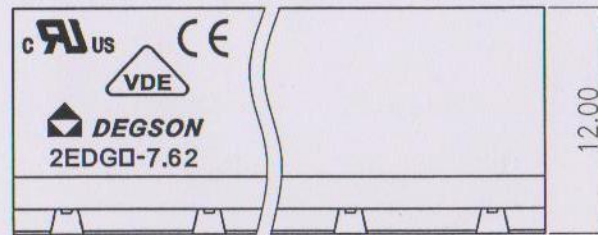
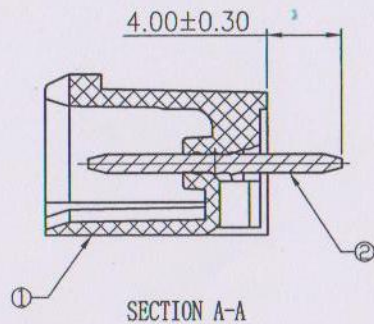


REVISION RECORD				
REV	ECN	DESCRIPTION	DRFT	DATE

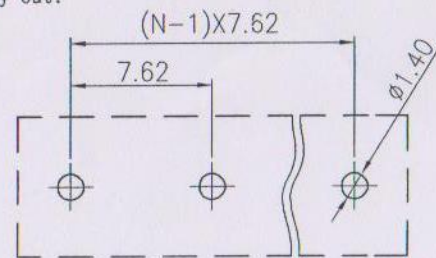


- Notes:
- Pitch: 7.62mm, Poles: 2-12P
  - Rated voltage/current: UL 300V/15A  
VDE 320V/20A
  - Operation temperatures: -40°C ~ +105°C
  - Withstanding Voltage: AC2500V/1Min
  - Insulation Resistance: 5000MΩ/DC1000V
  - Undimensioned Tolerances:

Pitch range in mm		Nominal dimension range in mm						
to	over	over	to	over	over	over		
6	10	10	24	30	60	100	150	
±0.10	±0.15	±0.25	±0.2	±0.3	±0.5	±0.7	±1.0	0.05/0.10



PCB Lay out:



2	2EDGVC-5.08-13A Pin header	1007B00190(H)	XX	COPPER	Manual assembly
1	2EDGV/R-7.62-100A Housing	1384A0YXXA(H)	1	PA66	UL94V-0 B
ITEM	NAME OF PART	NO. OF PART	Q'TY	MATERIAL	NOTES
DETACHED LISTS	MM (INCH)	DFTD ZMT	DATE 06/29/12'	DEGSON® 宁波高正电子有限公司 DEGSON ELECTRONICS CO., LTD	
	TOLERANCES EXCEPT AS NOTED	CHKD	DATE	NAME	
	MM	MFD	DATE	2EDGV-7.62-XXP-1Y-100A(H)	
	.0 ±	APPL	DATE 11/24/12	DRAWING NO. 2EDGV-7.62-E01	
	.00 ±			/PART NO.	
.000 ±			SIZE A3		
ANGLES ± 1°	G.E.	SCALE: 1:1		DO NOT SCALE DRAWING	
THIRD ANGLE PROJECTION	FINISH:	SHEET 1		OF 1	