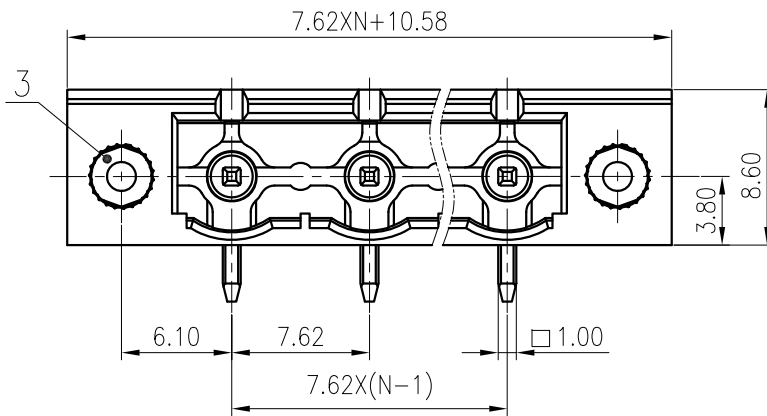
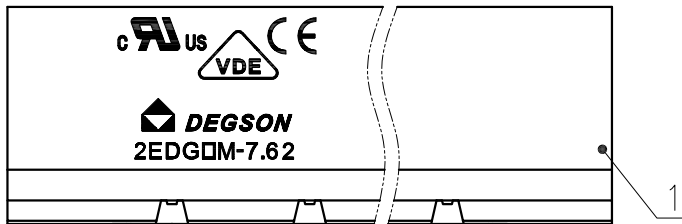
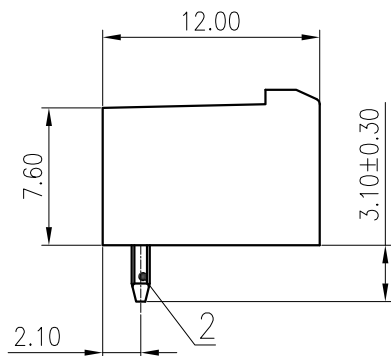
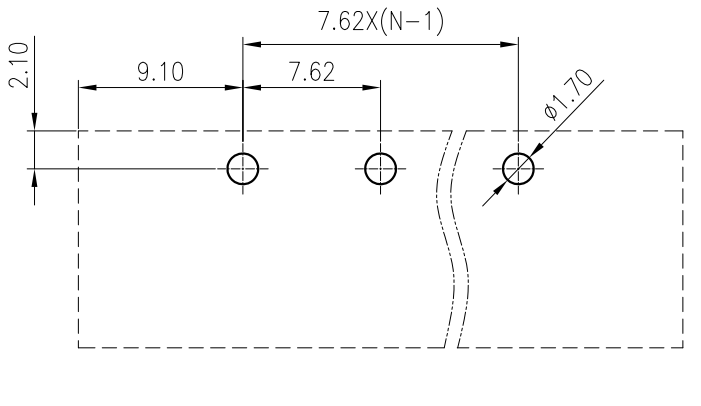


PCB LAYOUT



未注公差/General tolerances(mm)													0.1/10	
0	>3	>6	>10	>18	>30	>50	>80	>120	>180	>250	>315	>400		>500
±0.12	±0.18	±0.22	±0.26	±0.31	±0.37	±0.57	±0.80	±0.93	±1.05	±1.15	±1.60	±2.20	±2.50	±2'

3	Nut	Copper alloy	
2	Pin	Copper	Sn Plated
1	Housing	PA66	UL94V-0
ITEM	NAME OF PART	MATERIAL	NOTES

UL 标准/UL Standard:		B	C	D
额定电压/电流/Rated Voltage(V)/Current(A)		300/15	/	300/10
VDE 标准/VDE Standard:				
过压类别/Overvoltage Category/污染等级/Pollution Degree		III/3	III/2	II/2
额定电压/电流/Rated Voltage(V)/Current(A)		/	400/20	/
额定脉冲电压(kV)/Rate Impulse Voltage(kV)		/	4.0	/
间距/Pitch(mm)/线数范围/Poles		7.62/N=02~12P		
使用温度范围/Operating temperature(°C)		-40~+105		
符合RoHS环保要求/Conform to RoHS		Yes		

MATERIAL:	/	SURFACE:	/
MAT NO.:	/	宁波高松电子有限公司 NINGBO DEGSON ELECTRICAL CO., LTD	
STATUS:	/		
APPD:	LanChH 2020.06.08	NAME:	
CHKD:	GongYzh 2020.06.08	2EDGRM-7.62-XXP-1Y-100A(H)	
DRFT:	ZhuYP 2020.06.08	DRAWING NO.:	2EDGRM-7.62-C05
		REV	T1
SIZE: A4		TYPE: CUSTOMER DRAWING	SCALE: 2.5:1 SHEET 1/1

REV	ECN	DESCRIPTION	DRFT	DATE