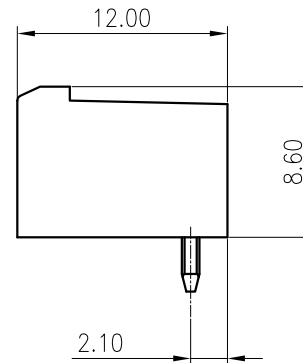
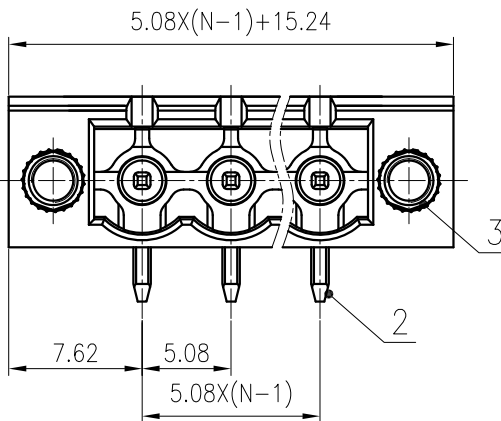
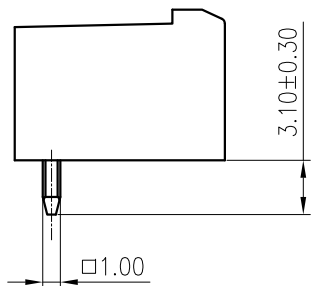
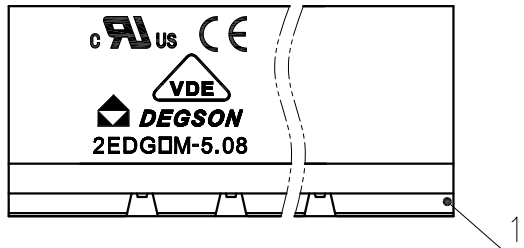


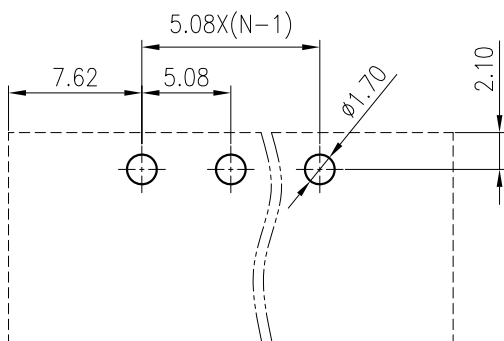
未注公差/General tolerances(mm)														
0	>3	>6	>10	>18	>30	>50	>80	>120	>180	>250	>315	>400	>500	0.1/10 ±2'
~3	~6	~10	~18	~30	~50	~80	~120	~180	~250	~315	~400	~500		
±0.12	±0.18	±0.22	±0.26	±0.31	±0.37	±0.57	±0.80	±0.93	±1.05	±1.15	±1.60	±2.20	±2.50	



**2EDGRM-5.08-XXP-1Y-100AH**  
**2EDGRM-5.08 - series**  
**XXP - number of Poles (number of Pins)**  
**1 - single-row**  
**Y - color of housing (4 - green color)**  
**100AH - no value**

3	Nut	Copper alloy	M2.5
2	Pin header	Copper	Sn Plated
1	Housing	PA66	UL94V-0
ITEM	NAME OF PART	MATERIAL	NOTES
JL 标准/UL Standard:			
额定电压/电流/Rated Voltage(V)/Current(A)		B	C
		300/15	/ 300/10
EC 标准/IEC Standard:			
过压类别/Overvoltage Category/污染等级/Pollution Degree		III/3	III/2 II/2
额定电压/电流/Rated Voltage(V)/Current(A)		/	320/20 /
额定脉冲电压(kV)/Rate Impulse Voltage(kV)		/	4 /
间距/Pitch(mm)/线数范围/Poles		5.08/N=02~22P	
使用温度范围/Operating temperature(°C)		-40~+105	
符合RoHS环保要求/Conform to RoHS		Yes	

**PCB LAYOUT**



REV	ECN	DESCRIPTION	DRFT	DATE
T2		Change frame	CenSL	2020.05.16
T1		Size revision	LZH	2019.07.01

MATERIAL: /	SURFACE: /		
MAT NO.: /	STATUS: /		
APPD: LanChH 2020.05.16	NAME: 宁波高松电子有限公司 NINGBO DEGSON ELECTRICAL CO., LTD		
CHKD: GongYZh 2020.05.16	2EDGRM-5.08-XXP-1Y-100A(H)		
DRFT: CenSL 2020.05.16	DRAWING NO.: 2EDGRM-5.08-C11		REV T2
⊕ ⊖ SIZE: A4	mm (inch)	TYPE: CUSTOMER DRAWING	SCALE: 2.5:1 SHEET 1/1