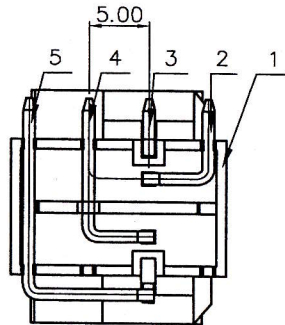
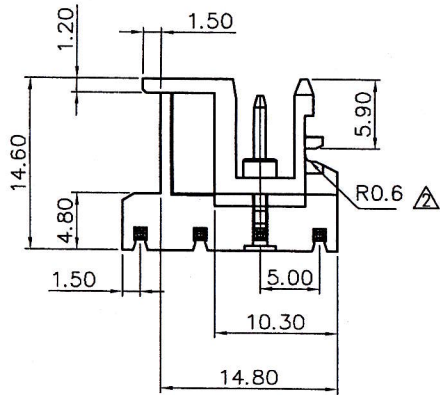
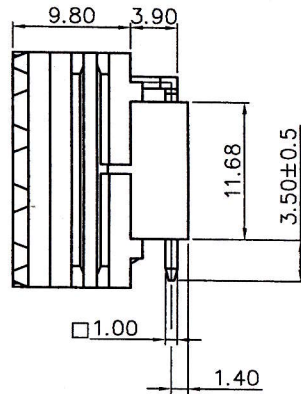
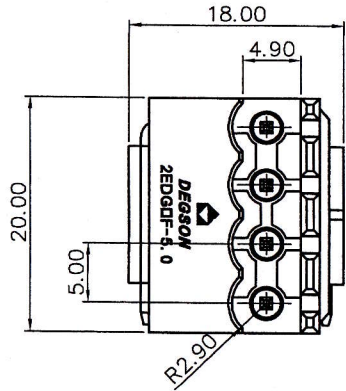
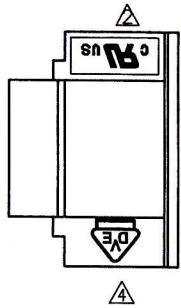


REVISION RECORD				
REV	ECN	DESCRIPTION	DRFT	DATE
△		品名、料号增加环保标示“(H)”	LJH	12/11/07
△	10-0177	增加UL刻字	Jordan.Y	06/10/10
△	11-0055	改善下压断裂，直角改为圆角	Golden	03/22/11
△	14-0102	增加VDE刻字，修改针料号	XLM	05/20/14



NOTES:

1. DIMENSION SHALL BE INTERPRETED PER ASME Y14.5-2009.
2. PITCH: 5.0MM , POLES: 04P
3. RATED VOLTAGE/CURRENT: UL 300V/15A
VDE 320V/20A
4. OPERATION TEMPERATURES: -40°C ~ +105°C
5. RATED IMPULSE VOLTAGE: 4.0KV
6. INSULATION RESISTANCE: 5000M Ω / DC1000V
7. UNDIMENSIONED TOLERANCES:

PITCH RANGE IN MM			NOMINAL DIMENSION RANGE IN MM				
TO	OVER	OVER	TO	OVER	OVER	OVER	—
6	6 TO 10	10 TO 24	30	30 TO 60	60 TO 100	100 TO 150	∩
			60	60 TO 100	100 TO 150	150	◇
	±0.10	±0.15	±0.25	±0.20	±0.30	±0.50	±1.00
							0.05/10



ITEM	NAME OF PART	NO. OF PART	Q"TY	MATERIAL	NOTES
5	2EDGLF-5.0 pin4	1090B00110(H)	1	Copper	TIN PLATED
4	2EDGLF-5.0 pin3	1090B00090(H)	1	Copper	TIN PLATED
3	2EDGLF-5.0 pin1	1090B00010(H)	1	Copper	TIN PLATED
2	2EDGLF-5.0 pin2	1090B00080(H)	1	Copper	TIN PLATED
1	2EDGRF-5.0-04P-Housing	1090A0Y04A(H)	1	PA66	UL94V-0

DETACHED LISTS	← MM (INCH) →		MATERIAL:		宁波高正电子有限公司		
	TOLERANCES EXCEPT AS NOTED		FINISH:		DEGSON® DEGSON ELECTRONICS CO., LTD		
	.X ±	.X" ±	PART NO.:		NAME:		
	.XX ±	.XX" ±	2EDGRF-5.0-04P-1Y-00A(H)		TITLE: ASSEMBLY DRAWING		
.XXX ±	.XXX" ±	APPD: Jean osr/14		DRAWING NO.: 2EDGRF-5.0-E04		REV	T4
ANGLES ± 1°		CHKD: Aardn. 5/21-14		DRFT: Yangys 05/07/07		DO NOT SCALE DRAWING	
THIRD ANGLE PROJECTION		SCALE		N/A		SHEET 1/1	