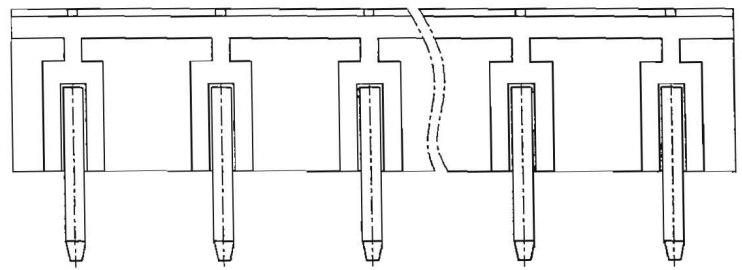
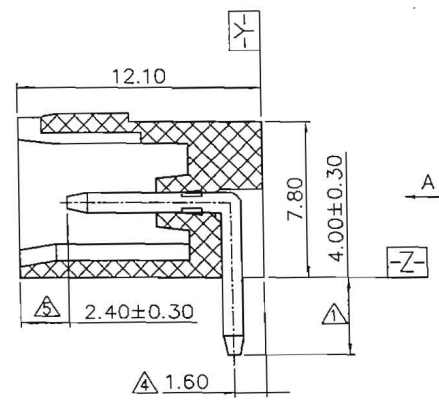
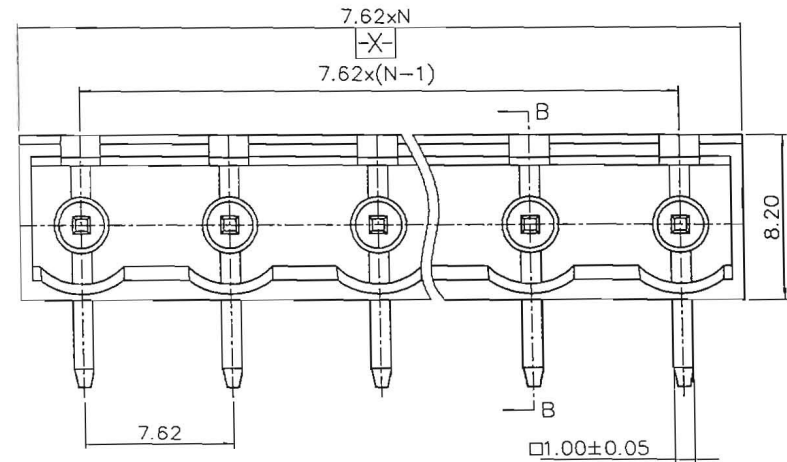


REVISION RECORD

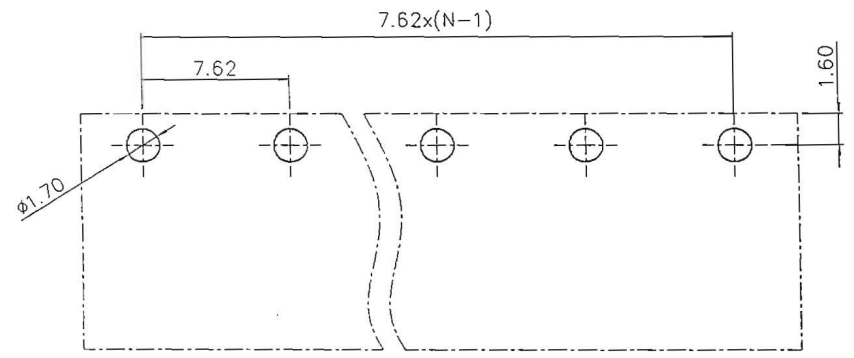
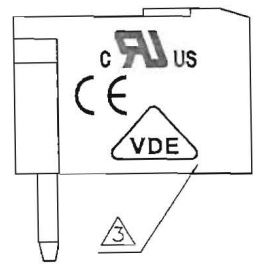
REV	ECN	DESCRIPTION	DRFT	DATE
△		4.5±0.1变更到4.0±0.3	DZJ	06/14/05*
△		图面更新	csx	04/25/06*
△		增加VDE、CE标志	YeJ	02/27/08*
△		更新图面	LJH	04/16/08*
△	10-0329	增加标注尺寸	COCO	10/05/10*
△	11-0290	最长线数由12P改为13P	Golden	12/15/11*
△	14-0107	黄铜变紫铜, 料号变更; 工频耐压变更为额定冲击电压	HHJ	12/18/14*



VIEW A



SEC B-B



P.C.B LAYOUT

Pitch range in mm		Nominal dimension range in mm					
	over 6 to 10	over 10 to 24	over 24 to 30	over 30 to 60	over 60 to 100	over 100 to 150	
to 6	±0.10	±0.15	±0.25	±0.2	±0.3	±0.5	±0.7
							±1.0

- NOTES:
- 1.DIMENSION SHALL BE INTERPRETED PER ASME Y14.5-2009.
  - 2.PITCH: 7.62MM ,POLES: 2~13P
  - 3.RATED VOLTAGE/CURRENT: UL 300V/15A VDE 400V/20A
  - 4.OPERATION TEMPERATURES: -40°C~+105°C
  - 5.RATED IMPULSE VOLTAGE: 4.0KV
  - 6.INSULATION RESISTANCE: 5000MΩ/DC1000V
  - 7.UNDIMENSIONED TOLERANCES:

ITEM	NAME OF PART	NO. OF PART	Q'TY	MATERIAL	NOTES
2	2EDGR Pin header	1008B00330(H)	XX	COPPER	Sn Plated
1	2EDGRC-7.62-Housing	1023A0YXXA(H)	1	PA66	UL94V-0

DETACHED LISTS	TOLERANCES EXCEPT AS NOTED		MATERIAL:		DEGSON® 宁波高正电子有限公司 Ningbo Degson Electrical Co., Ltd.	
	FINISH:		PART NO.:		NAME:	
	Series 2EDGRC-7.62		2EDGRC-7.62		2EDGRC-7.62-XXP-1Y-00A(H)	
	ANGLES ± 1°		APPD: <i>Aaxon 17/11/14</i>		TITLE: ASSEMBLY DRAWING	
THIRD ANGLE PROJECTION		CHKD: <i>Xm 12/19/14</i>		DRAWING NO.: 2EDGRC-7.62-E01		
DRFT: Zhuwm 08/02/04		DO NOT SCALE DRAWING		SCALE	N/A	SHEET 1/1