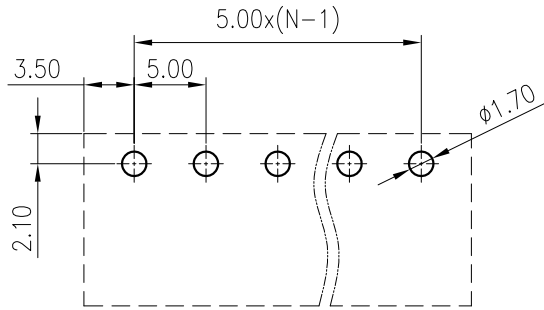


PCB LAYOUT



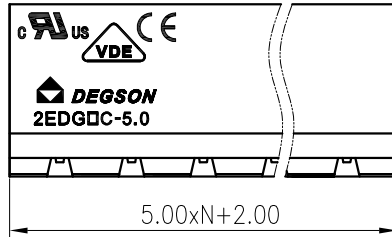
未注公差/General tolerances(mm)											0.1/10 ±2'		
0 ~ 3	>3 ~ 6	>6 ~ 10	>10 ~ 18	>18 ~ 30	>30 ~ 50	>50 ~ 80	>80 ~ 120	>120 ~ 180	>180 ~ 250	>250 ~ 315		>315 ~ 400	>400 ~ 500
±0.12	±0.18	±0.22	±0.26	±0.31	±0.37	±0.57	±0.80	±0.93	±1.05	±1.15	±1.60	±2.20	±2.50

A

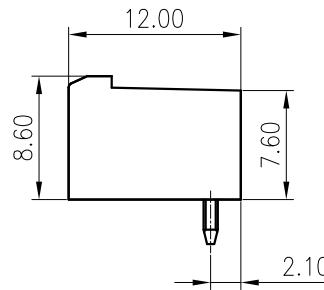
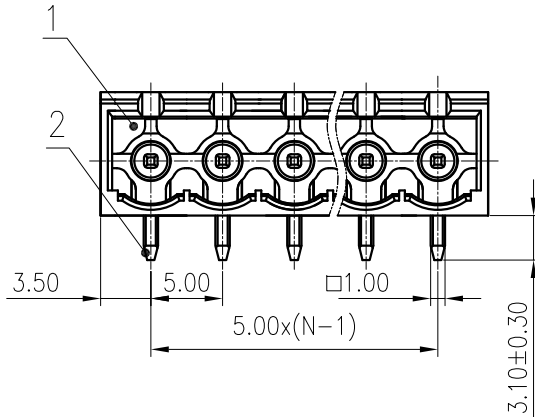
B

C

D



2EDGRC-5.0-XXP-1Y-100AH
2EDGRC-5.0 - series
XXP - number of Poles (number of Pins)
1 - single-row
Y - color of housing (4 - green color)
100AH - no value



2	Pin	Copper	Sn Plated
1	Housing	PA66	UL94V-0
ITEM	NAME OF PART	MATERIAL	NOTES
UL 标准/UL Standard:		B	C
额定电压/电流/Rated Voltage(V)/Current(A)		300/15	300/10
EC 标准/IEC Standard:			
过压类别/Overvoltage Category/污染等级/Pollution Degree		III/2	
额定电压/电流/Rated Voltage(V)/Current(A)		320/20	
额定脉冲电压(kV)/Rate Impulse Voltage(kV)		4	
间距/Pitch(mm)/线数范围/Poles		5.0/N=02P~24P	
使用温度范围/Operating temperature(°C)		-40~+105	
符合RoHS环保要求/Conform to RoHS		Yes	

MATERIAL: /	SURFACE: /								
MAT NO.: /	宁波高松电子有限公司 NINGBO DEGSON ELECTRICAL CO., LTD								
STATUS: /									
APPD: LanChH 2020.03.24	NAME: 2EDGRC-5.0-XXP-1Y-100A(H)								
CHKD:GongYZh 2020.03.24	DRAWING NO.: 10001605								
DRFT: Fan JY 2020.03.24	REV: T0								
REV	ECN	DESCRIPTION	DRFT	DATE	SIZE: A4	TYPE: CUSTOMER DRAWING	SCALE: 2:1	SHEET	1/1