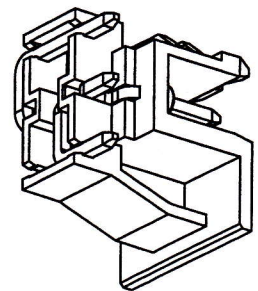
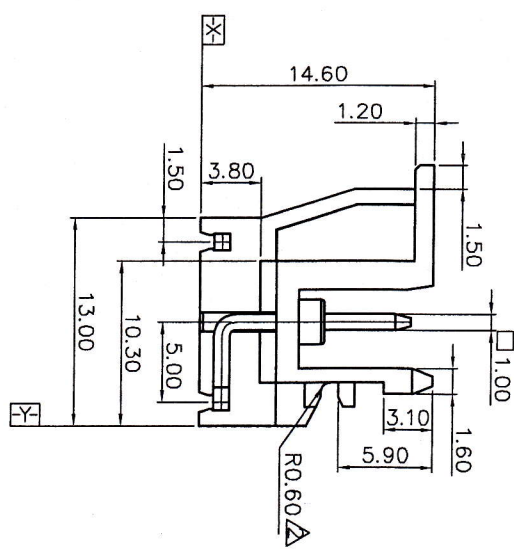
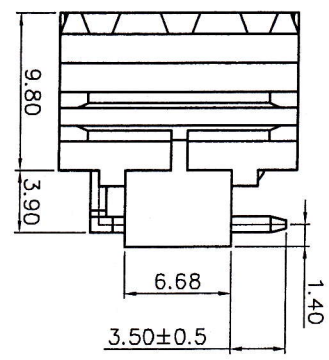
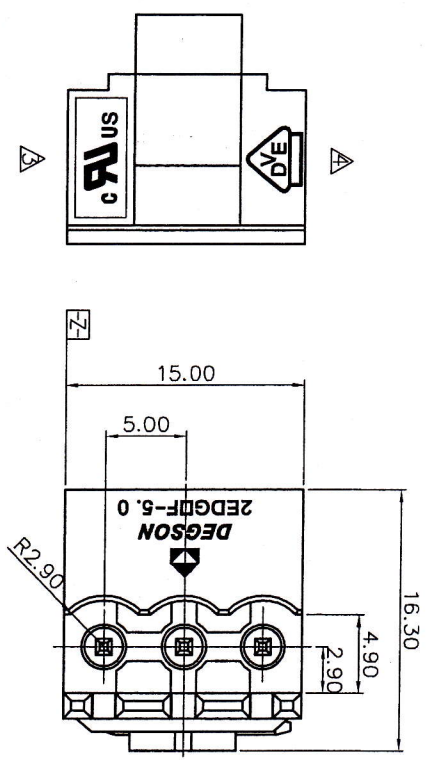
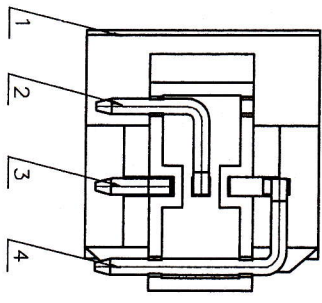


REVISION RECORD			
REV	ECN	DESCRIPTION	DRFT DATE
△		品名、料号增加环保标示“(H)”	LJH 12/11/07
△	11-00366	改善下压断裂，直角改为圆角	Golden 03/07/11
△	10-0017	增加UL刻字	YHG 03/21/11
△	14-0102	增加VDE刻字，修改针料号	DZ 05/20/14



PITCH RANGE		NOMINAL DIMENSION RANGE	
IN MM	OVER	IN MM	OVER
TO 6	10	TO 30	60
TO 10	24	TO 60	100
TO 15	24	TO 100	150
±0.10	±0.25	±0.20	±0.50
±0.15	±0.30	±0.70	±1.00
		±0.05	±0.10

- NOTES:
1. DIMENSION SHALL BE INTERPRETED PER ASME Y14.5-2009.
 2. PITCH: 5.0MM, POLES: 03P
 3. RATED VOLTAGE/CURRENT: UL 300V/15A VDE 320V/20A
 4. OPERATION TEMPERATURES: -40°C~+105°C
 5. RATED IMPULSE VOLTAGE: 4.0KV
 6. INSULATION RESISTANCE: 5000MΩ/DC1000V
 7. UNDIMENSIONED TOLERANCES:



ITEM	NAME OF PART	NO. OF PART	Q"TY	MATERIAL	NOTES
4	2EDGLF-5.0 pin3	1	1	Copper	TIN PLATED
3	2EDGRF-5.0 pin1	1	1	Copper	TIN PLATED
2	2EDGLF-5.0 pin2	1	1	Copper	TIN PLATED
1	2EDGRF-5.0-03P-Housing	1	1	PA66	UL94V-0

MATERIAL:	
FINISH:	
TOLERANCES EXCEPT AS NOTED	
ANGLES ± 1°	
THIRD ANGLE PROJECTION	

APPROVED:	DESIGNED:	DRAWN:	CHECKED:
<i>Jean Eschelle</i>	<i>Arvin S. Blaine</i>	<i>Arvin S. Blaine</i>	<i>Arvin S. Blaine</i>
DATE: 05/07/07			

DETACHED LISTS	
NAME:	DEGSON 宁波高正电子有限公司
TITLE:	ASSEMBLY DRAWING
DRAWING NO.:	2EDGLF-5.0-E03
SCALE:	1:1
SHEET:	1/1

