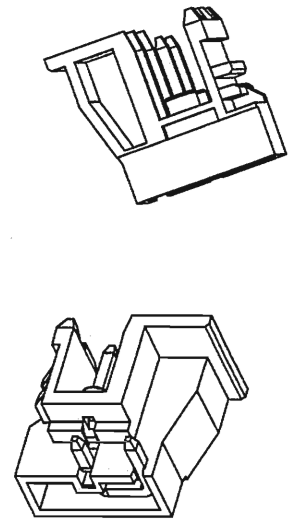
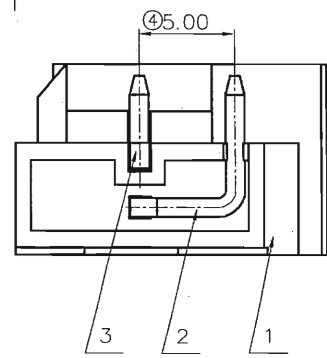
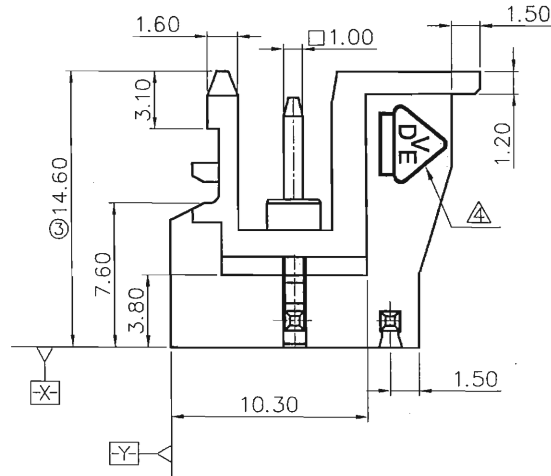
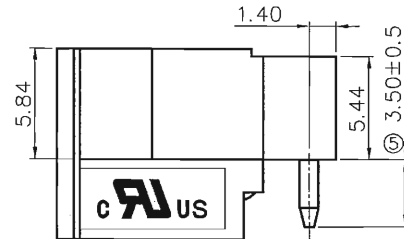
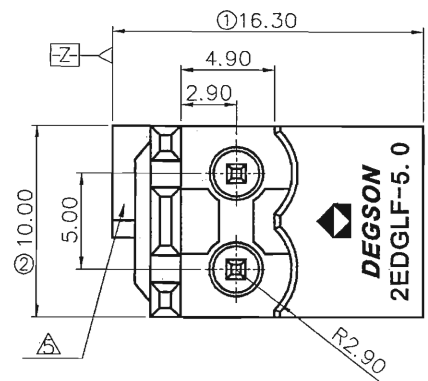


REVISION RECORD				
REV	ECN	DESCRIPTION	DRFT	DATE
△		品名、料号增加环保标示“(H)”	LJH	12/11/07”
△	12-0015	更新图面	Dick.H	02/11/12”
△	12-0120	更新图面	ZMT	06/12/12”
△	14-0102	增加VDE刻字, 修改针料号	DZ	05/20/14”
△	15-0331	根据实物修改图面	FRZ	07/21/15”



备注一:

UL 标准

1. 额定电压与电流 : 300V / 15A
2. 工频耐压 : AC1600V/1Min.

IEC 标准

1.

污染等级	2
安装类别	III
额定脉冲电压(KV)	4.0KV
额定电压(V)	320V
额定电流(A)	20A

备注二:

1. 尺寸标注符合标准 ASME Y14.5-2009
2. P距 : 5.0mm, P数范围 : N=02P
3. 使用温度范围 : -40°C~+105°C
4. "⊗" 为重点管控尺寸
5. 顶出力要求: 10N(Min)
6. 未注公差表:

P距方向公差(mm)			其他尺寸公差(mm)						
≤6	6 ~ 10	10 ~ 24	≤30	30 ~ 60	60 ~ 100	100 ~ 150	>150	0.05/10	
±0.10	±0.15	±0.25	±0.20	±0.30	±0.50	±0.70	±1.00	±1'	

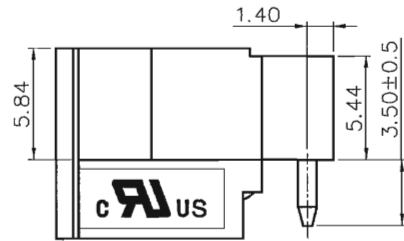
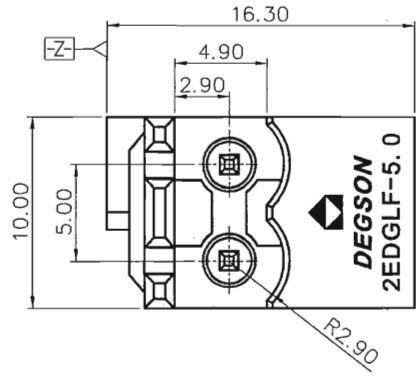
7. 须符合RoHS 环保要求

文管中心  
研发专用  
2015.08.14  
(仅限内部使用, 对外无效)

3	2EDGRF-5.0方针	1090B00010(H)	1	紫铜	镀锡
2	2EDGLF-5.0方针	1090B00080(H)	1	紫铜	镀锡
1	2EDGLF-5.0-02P塑件	1090A0Y02C(H)	1	PA66	UL94V-0

ITEM	NAME OF PART	NO. OF PART	QTY	MATERIAL	NOTES
PART NO.:		宁波高松电子有限公司			
APPD: Aaron 8/12/15		DEGSON <sup>®</sup> NINGBO DEGSON ELECTRICAL CO., LTD			
CHKD: XXY 8/12/15		NAME: 2EDGLF-5.0-02P-1Y-00A(H)			
DRFT: yangys 05/07/07		TITLE: ASSEMBLY DRAWING		REV	T5
THIRD ANGLE PROJECTION		DRAWING NO.: 2EDGLF-5.0-E01		SHEET	1/1
		DO NOT SCALE DRAWING		SCALE	1:1

REVISION RECORD				
REV	ECN	DESCRIPTION	DRFT	DATE



NOTES1:  
 UL Standard  
 1.Rated Voltage/Current : 300V / 15A  
 2.Withstanding Voltage : AC1600V/1Min.

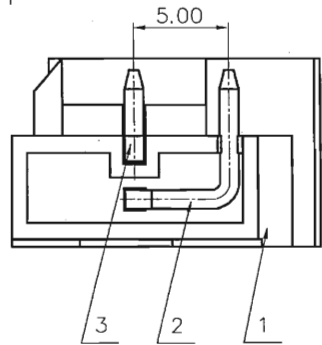
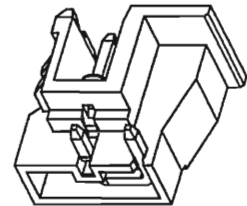
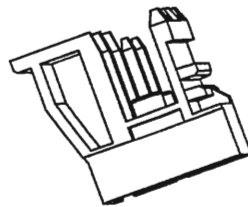
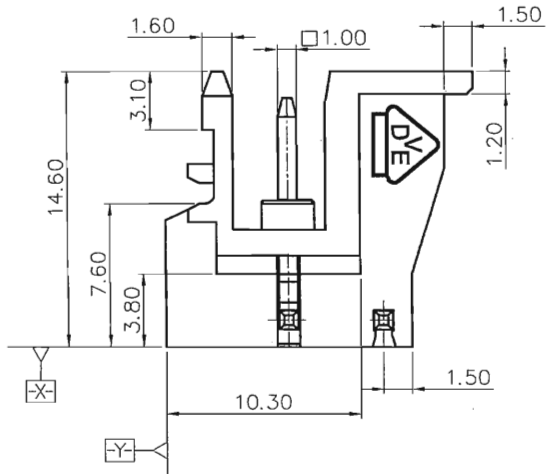
IEC Standard

- |                          |       |
|--------------------------|-------|
| Pullution Degree         | 2     |
| Overvoltage Category     | III   |
| Rate impluse Voltage(KV) | 4.0KV |
| Rate Voltage(V)          | 320V  |
| Rate Current(A)          | 20A   |

NOTES2:  
 1.Dimension shall be interpreted per ASME Y14.5-2009  
 2.Pitch : 5.0mm, Poles : N=02P  
 3.Operating temperature: -40°C~+105°C  
 4.Undimensioned Tolerances:

Pitch Range In mm		Nominal Dimension Range In mm				Tolerances	
TO	TO	TO	TO	TO	TO	TO	TO
6	10	6	30	60	100	150	0.1/10
6	10	24	30	60	100	150	<
±0.15	±0.20	±0.30	±0.30	±0.50	±0.70	±1.00	±2'

5.RoHS Compliance



文管中心  
 研发专用  
 2015.08.14  
 (仅限内部使用,对外无效)

ITEM	NAME OF PART	MATERIAL	NOTES
3	Pin1	COPPER ALLOY	SN PLATED
2	Pin2	COPPER ALLOY	SN PLATED
1	Housing	PA66	UL94V-0

DETACHED LISTS	PART NO.:	/		
	APPD:	Aaron 8/11/15		
	CHKD:	XXY 8/11/15		
	DRFT:	FRZ 07/21/15		
	THIRD ANGLE PROJECTION		TITLE: CUSTOMER DRAWING	
	DRAWING NO.: 2EDGLF-5.0-C01		REV	TO
	DO NOT SCALE DRAWING		SHEET	1/1
	SCALE 1:1			

宁波高松电子有限公司  
 DEGSON® NINGBO DEGSON ELECTRICAL CO., LTD

NAME: 2EDGLF-5.0-02P-1Y-00A(H)

SCALE 1:1