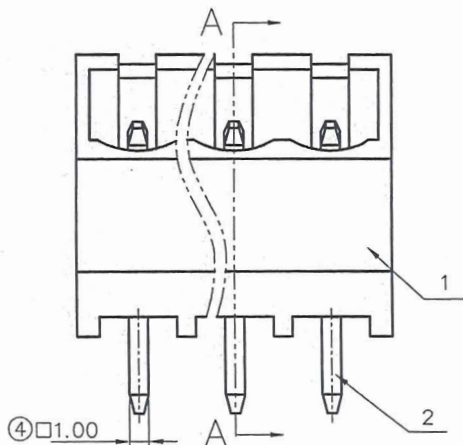
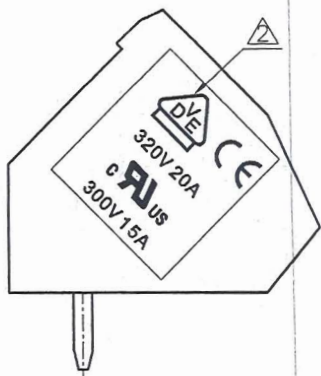


REVISION RECORD				
REV	ECN	DESCRIPTION	DRFT	DATE
△		增加UL、CE刻字	Zengy	11/28/08
△	10-0369	增加VDE刻字及参数	ZXX	11/10/10
△	15-0501	修改料号,增加顶出力	Yz	11/11/15



备注一:

UL 标准

1. 额定电压与电流 : 300V / 15A
2. 工频耐压 : AC1600V/1Min.

VDE 标准

1.

污染等级	3
过压类别	III
额定脉冲电压(KV)	4.0KV
额定电压(V)	320V
额定电流(A)	20A

备注二:

1. 尺寸标注符合标准 ASME Y14.5-2009
2. P距 : 5.08mm, P数范围 : N=2~24P
3. 使用温度范围 : -40°C~+105°C

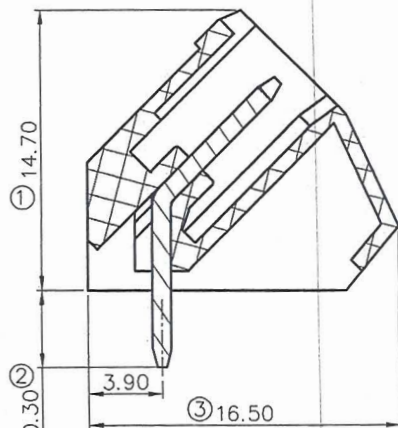
△ 4. 顶出力 ≥ 25N

5. "⊗" 为重点管控尺寸

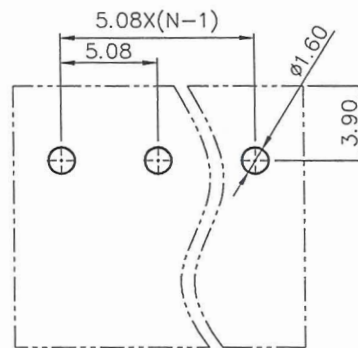
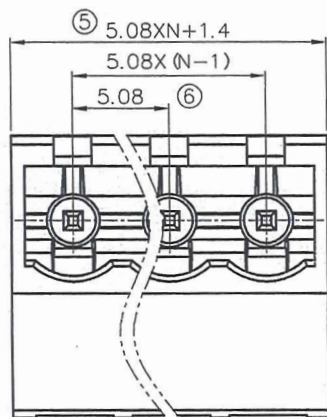
6. 未注公差表:

P距方向公差(mm)			其他尺寸公差(mm)				⊖	∩	∇
≤6	6 ~ 10	10 ~ 24	≤30	30 ~ 60	60 ~ 100	100 ~ 150	>150	0.05/10	
±0.10	±0.15	±0.25	±0.20	±0.30	±0.50	±0.70	±1.00	±1'	

7. 须符合RoHS环保要求



SEC A-A



PCB LAYOUT

△ 2	2EDGL-5.08-针	1181B00020(H)	N	紫铜	镀锡
1	2EDGLC-5.08-塑件	1183AYYXXA(H)	1	PA66	UL94V-0
ITEM	NAME OF PART	NO. OF PART	Q'TY	MATERIAL	NOTES

PART NO.:	宁波高松电子有限公司				
DEGSON	NINGBO DEGSON ELECTRICAL CO., LTD				
APPD: Aaron 11/13/05	NAME: 2EDGLC-5.08-XXP-1Y-00A(H)				
CHKD: Xan 11/17/14	TITLE: ASSEMBLY DRAWING				
DRFT: LIN 08/31/07	REV: T3			SHEET: 1/1	
DRAWING NO.: 2EDGLC-5.08-E01		SCALE: 1:1		DO NOT SCALE DRAWING	
THIRD ANGLE PROJECTION					

研发专用  
2005.11.13  
(仅限内部使用, 对外)

REVISION RECORD

REV	ECN	DESCRIPTION	DRFT	DATE
-----	-----	-------------	------	------

NOTES1:

UL Standard

1. Rated Voltage/Current : 300V / 15A
2. Withstanding Voltage : AC1600V/1Min.

IEC Standard

1.

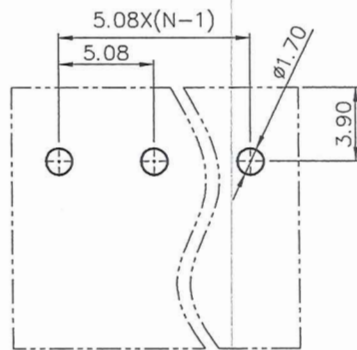
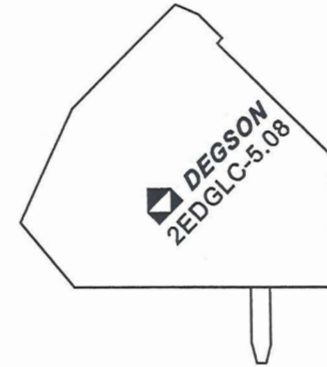
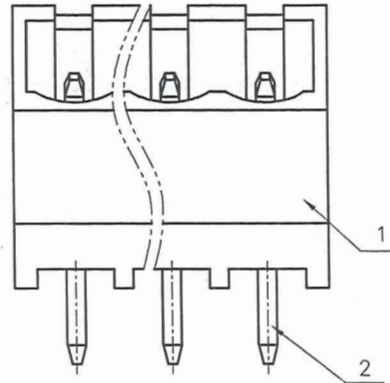
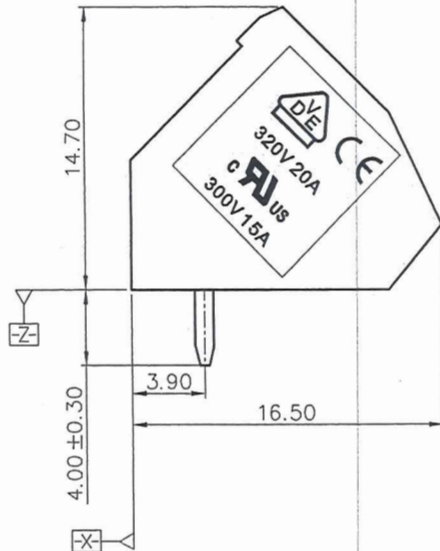
Pollution Degree	3
Overvoltage Category	III
Rate Impulse Voltage(KV)	4.0KV
Rate Voltage(V)	320V
Rate Current(A)	20A

NOTES2:

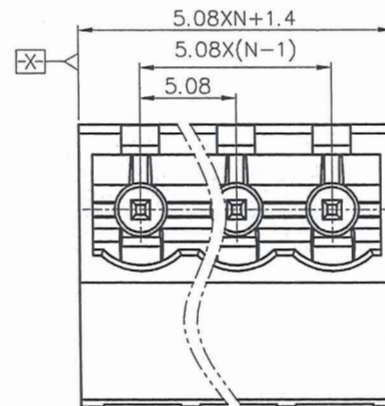
1. Dimension shall be interpreted per ASME Y14.5-2009
2. Pitch : 5.08mm, Poles : N=2~24P
3. Operating temperature: -40°C~+105°C
4. Undimensioned Tolerances:

Pitch Range In mm		Nominal Dimension Range In mm						-	∩	□
TO	Over TO	Over TO	Over TO	Over TO	Over TO	Over TO	0.1/10			
6	10	24	30	60	100	150	<			
±0.15	±0.20	±0.30	±0.30	±0.50	±0.70	±1.00	±1.30	±2'		

5. RoHS Compliance



PCB LAYOUT



管中  
发专  
2015.11.23

2	PIN	Copper Alloy	Sn Plated
1	HOUSING	PA66	UL94V-0
ITEM	NAME OF PART	MATERIAL	NOTES

PART NO.:	宁波高松电子有限公司		
APPD: Aaron 11/12/15	DEGSON® NINGBO DEGSON ELECTRICAL CO., LTD		
CHKD: Xlm 11/13/15	NAME: 2EDGLC-5.08-XXP-1Y-00A(H)		
DRFT: Yz 11/12/15	TITLE: CUSTOMER DRAWING		REV TO
THIRD ANGLE PROJECTION	DRAWING NO.: 2EDGLC-5.08-C01	SHEET	1/1
	MM (INCH)	DO NOT SCALE DRAWING	SCALE 1:1