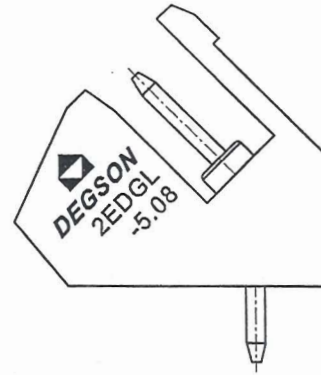
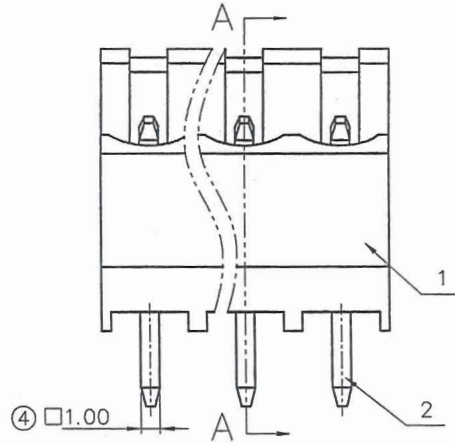
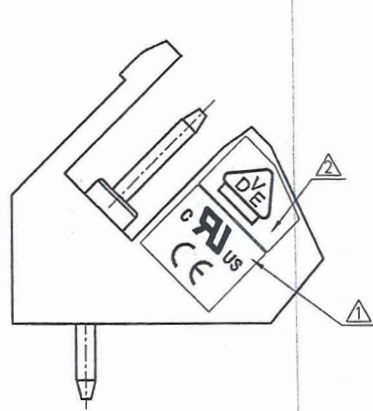


REVISION RECORD				
REV	ECN	DESCRIPTION	DRFT	DATE
△		增加UL、CE刻字	Zengy	11/28/06"
△	10-0382	增加VDE刻字	ZXX	11/16/10"
△	15-0501	修改料号增加顶出力管控	Yz	11/11/15"



备注一:

UL 标准

1. 额定电压与电流 : 300V / 15A
2. 工频耐压 : AC1600V/1Min.

VDE 标准

1.

污染等级	3
过压类别	III
额定脉冲电压(KV)	4.0KV
额定电压(V)	320V
额定电流(A)	20A

备注二:

1. 尺寸标注符合标准 ASME Y14.5-2009
2. P距 : 5.08mm, P数范围 : N=2~24P
3. 使用温度范围 : -40°C~+105°C

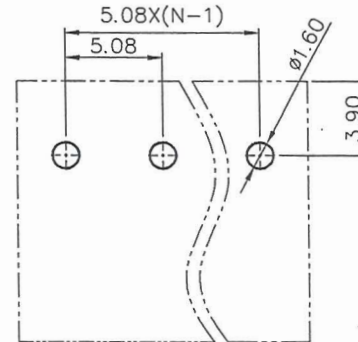
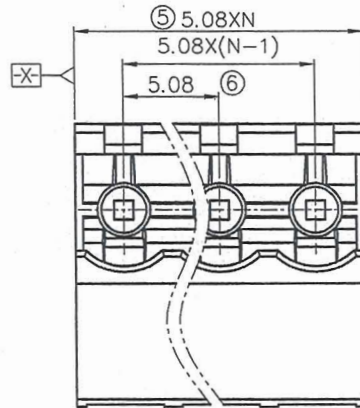
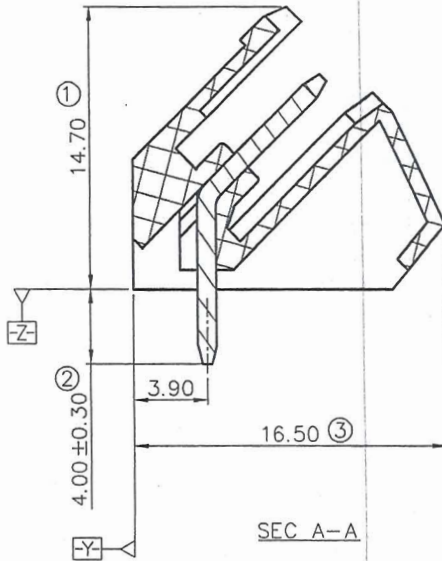
△ 4. 顶出力 ≥ 25N

5. "⊗" 为重点管控尺寸

6. 未注公差表:

P距方向公差(mm)			其他尺寸公差(mm)				—	∩	∇
≤6	6 ~ 10	10 ~ 24	≤30	30 ~ 60	60 ~ 100	100 ~ 150	>150	0.05/10	
±0.10	±0.15	±0.25	±0.20	±0.30	±0.50	±0.70	±1.00	±1'	

7. 须符合RoHS环保要求



PCB LAYOUT

△

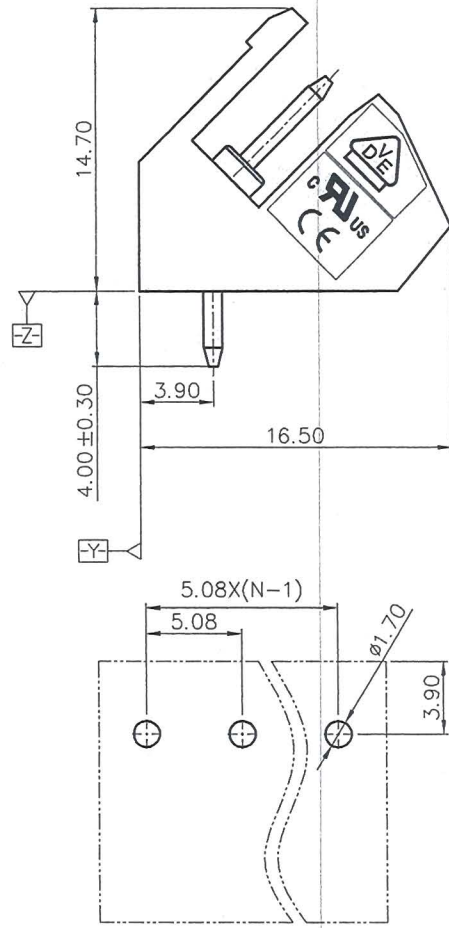
2	2EDGL-5.08-针	1181B0020(H)	N	紫铜	镀锡
1	2EDGL-5.08-塑件	1181AYYXXA(H)	1	PA66	UL94V-0
ITEM	NAME OF PART	NO. OF PART	Q'TY	MATERIAL	NOTES

PART NO.: /		宁波高松电子有限公司			
APPD: Aaron 11/13/05		DEGSON® NINGBO DEGSON ELECTRICAL CO., LTD			
CHKD: Xim 11/19/05		NAME: 2EDGL-5.08-XXP-1Y-00A(H)			
DRFT: LIN 08/31/07"		TITLE: ASSEMBLY DRAWING		REV	T3
THIRD ANGLE PROJECTION		DRAWING NO.: 2EDGL-5.08-E01		SHEET	1/1
		MM (INCH)		DO NOT SCALE DRAWING	SCALE 1:1

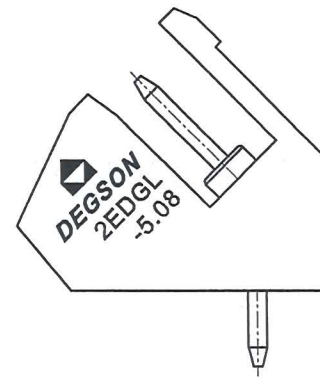
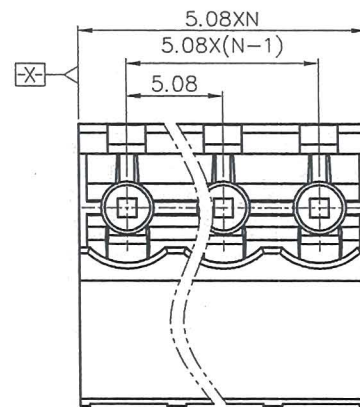
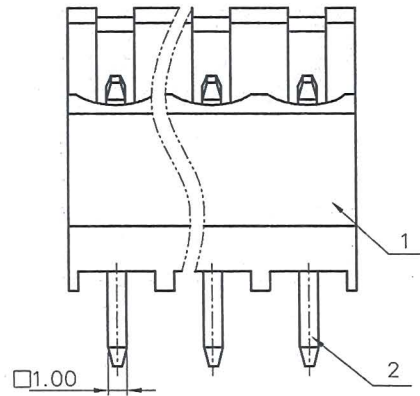
水管中心
研发专户
2005.11.13

(仅限内部使用, 对外)

REVISION RECORD				
REV	ECN	DESCRIPTION	DRFT	DATE



PCB LAYOUT



NOTES1:

UL Standard

1. Rated Voltage/Current : 300V / 15A
2. Withstanding Voltage : AC1600V/1Min.

IEC Standard

1.

Pollution Degree	3
Overvoltage Category	III
Rate Impulse Voltage(KV)	4.0KV
Rate Voltage(V)	320V
Rate Current(A)	20A

NOTES2:

1. Dimension shall be interpreted per ASME Y14.5-2009
2. Pitch : 5.08mm, Poles : N=2~24P
3. Operating temperature: -40°C~+105°C
4. Undimensioned Tolerances:

Pitch Range In mm		Nominal Dimension Range In mm						- / 0 / +	D
TO	6 TO 10	Over 10 TO 24	TO 30	Over 30 TO 60	Over 60 TO 100	Over 100 TO 150	Over 150		
6	10	24	30	60	100	150	±1.00	±1.30	±2'

5. RoHS Compliance

2	PIN	Copper Alloy	Sn Plated
1	HOUSING	PA66	UL94V-0
ITEM	NAME OF PART	MATERIAL	NOTES

PART NO.:	/		
APPD:	Aaron 11/12/15		
CHKD:	Xm 11/13/15		
DRFT:	Yz 11/12/15		
DETAILED LISTS	NINGBO DEGSON ELECTRICAL CO., LTD		
NAME:	2EDGL-5.08-XXP-1Y-00A(H)		
TITLE:	CUSTOMER DRAWING	REV	TO
DRAWING NO.:	2EDGL-5.08-C01	SHEET	1/1
MM (INCH)	DO NOT SCALE DRAWING	SCALE	1:1

管中心
 11.13
 对外无

